

# SYSTEM WIRING DIAGRAMS

## Article Text

### 1995 Volkswagen GTI

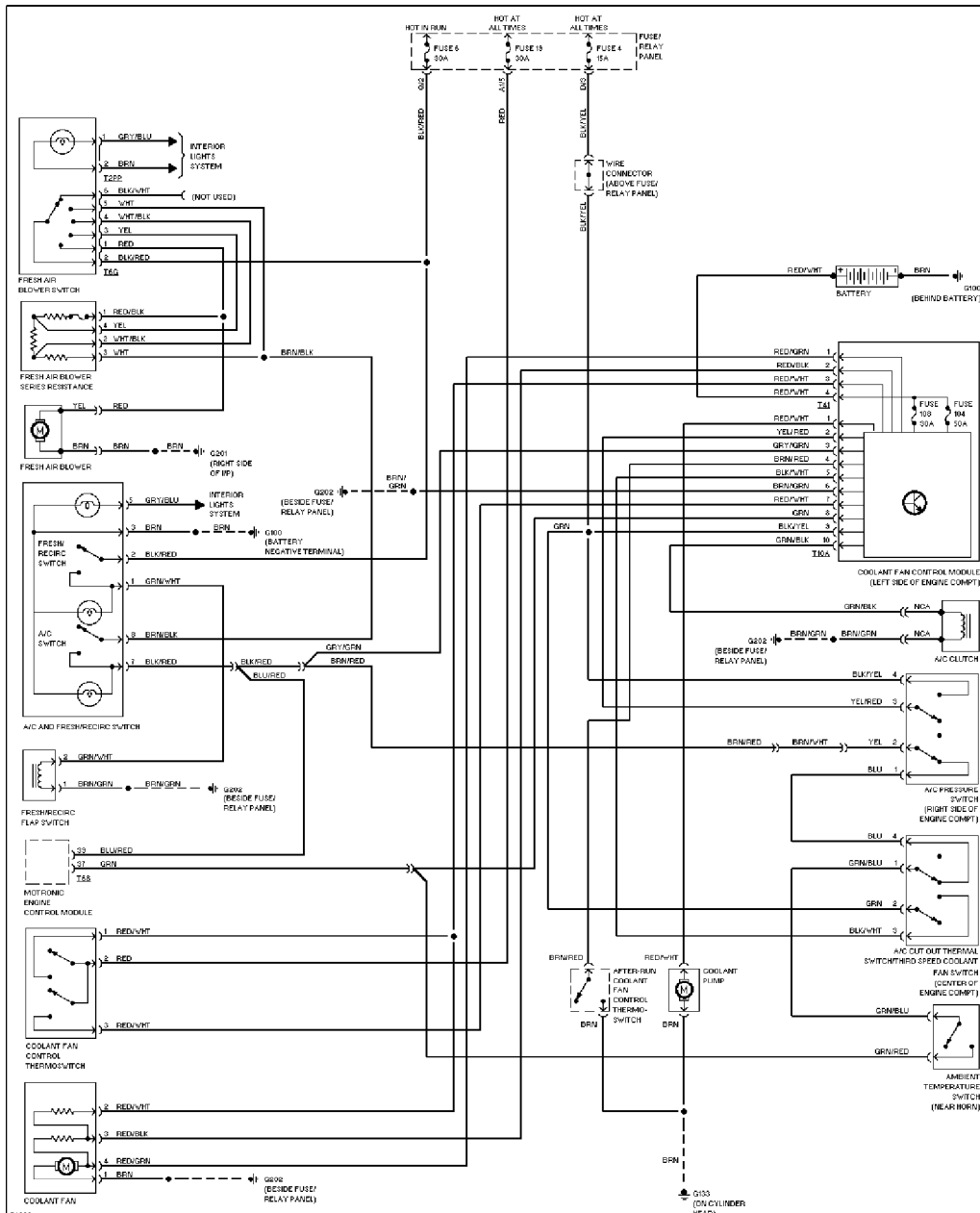
For Volkswagen Technical Site  
Copyright © 1998 Mitchell Repair Information Company, LLC  
Tuesday, December 07, 1999 10:32PM

## ARTICLE BEGINNING

1995 System Wiring Diagrams  
Volkswagen - GTI

## AIR CONDITIONING

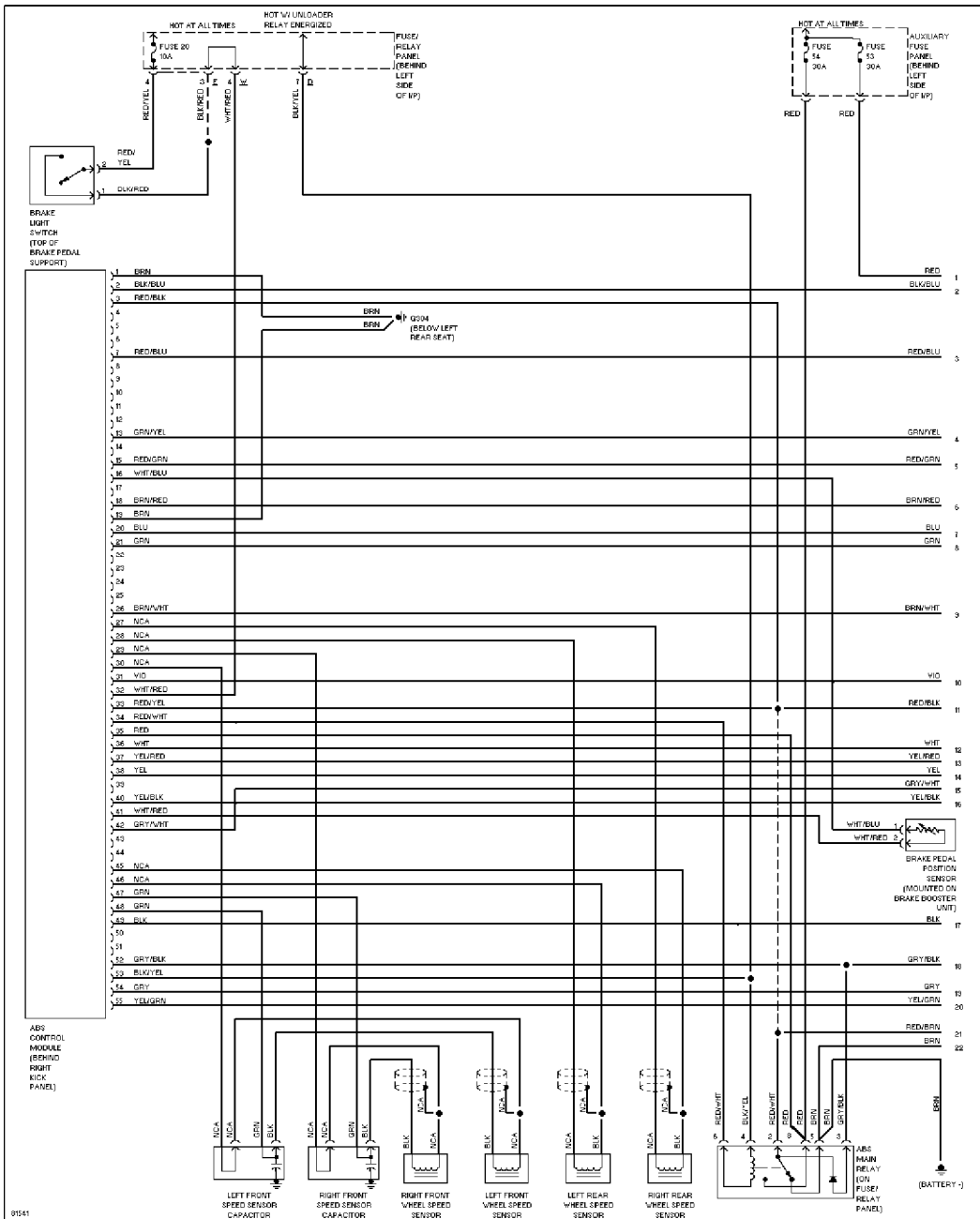
2.8L



2.8L, Air Conditioning Circuits

**SYSTEM WIRING DIAGRAMS**  
**Article Text (p. 2)**  
 1995 Volkswagen GTI  
 For Volkswagen Technical Site  
 Copyright © 1998 Mitchell Repair Information Company, LLC  
 Tuesday, December 07, 1999 10:32PM

**ANTI-LOCK BRAKES**



Anti-lock Brake Circuits (1 of 2)

# SYSTEM WIRING DIAGRAMS

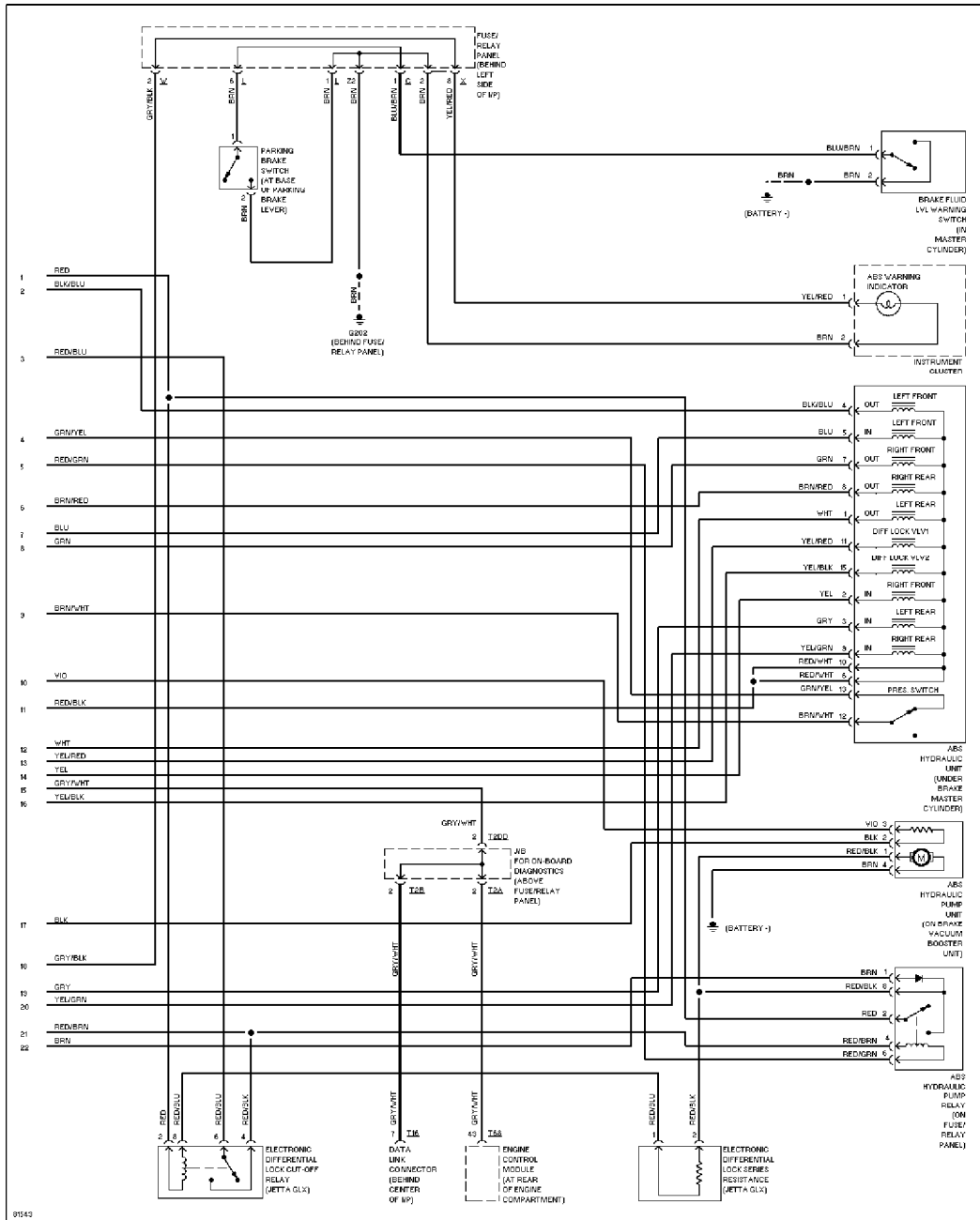
Article Text (p. 3)

1995 Volkswagen GTI

For Volkswagen Technical Site

Copyright © 1998 Mitchell Repair Information Company, LLC

Tuesday, December 07, 1999 10:33PM



Anti-lock Brake Circuits (2 of 2)

## ANTI-THEFT

# SYSTEM WIRING DIAGRAMS

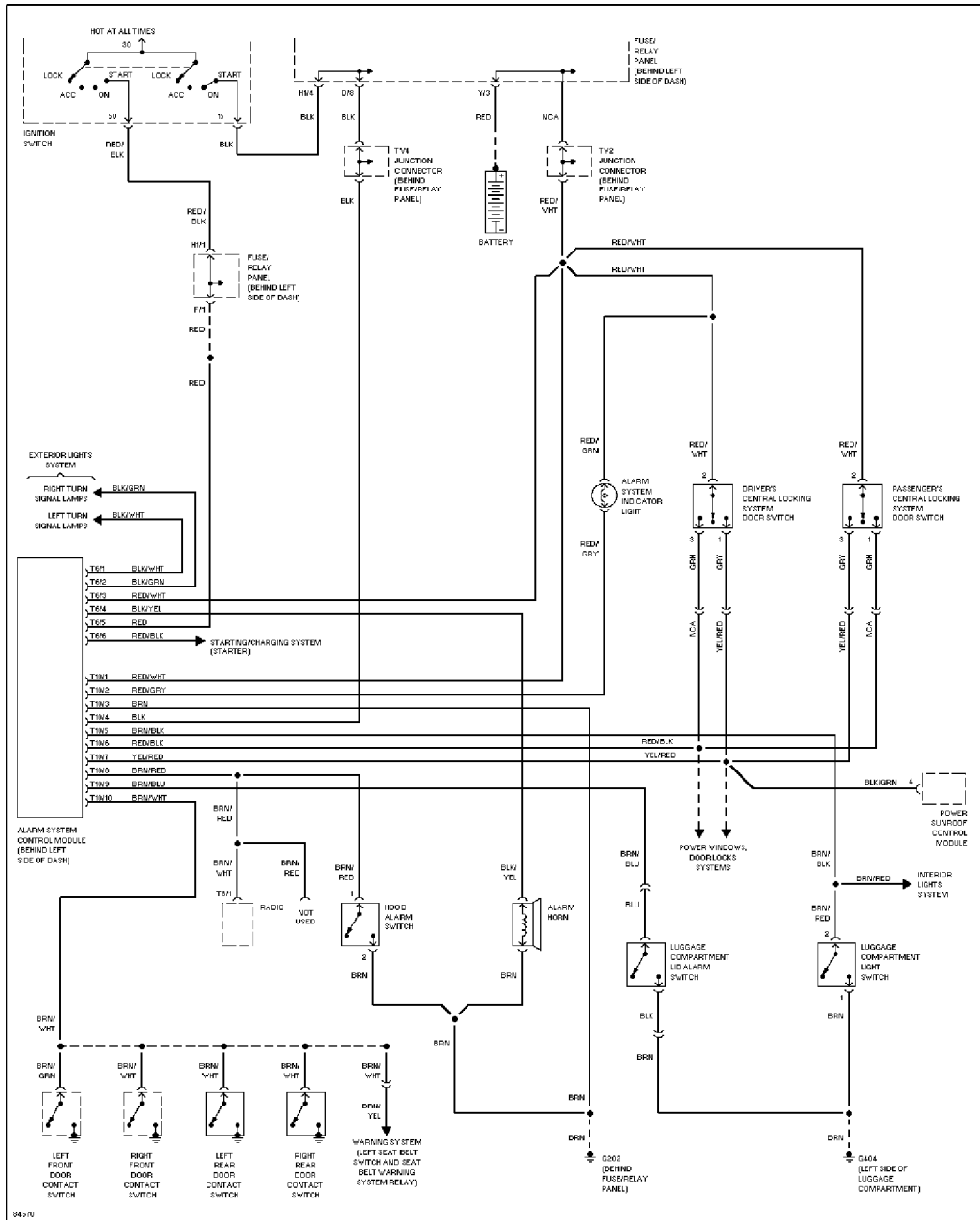
Article Text (p. 4)

1995 Volkswagen GTI

For Volkswagen Technical Site

Copyright © 1998 Mitchell Repair Information Company, LLC

Tuesday, December 07, 1999 10:33PM



Anti-theft Circuit

COMPUTER DATA LINES

# SYSTEM WIRING DIAGRAMS

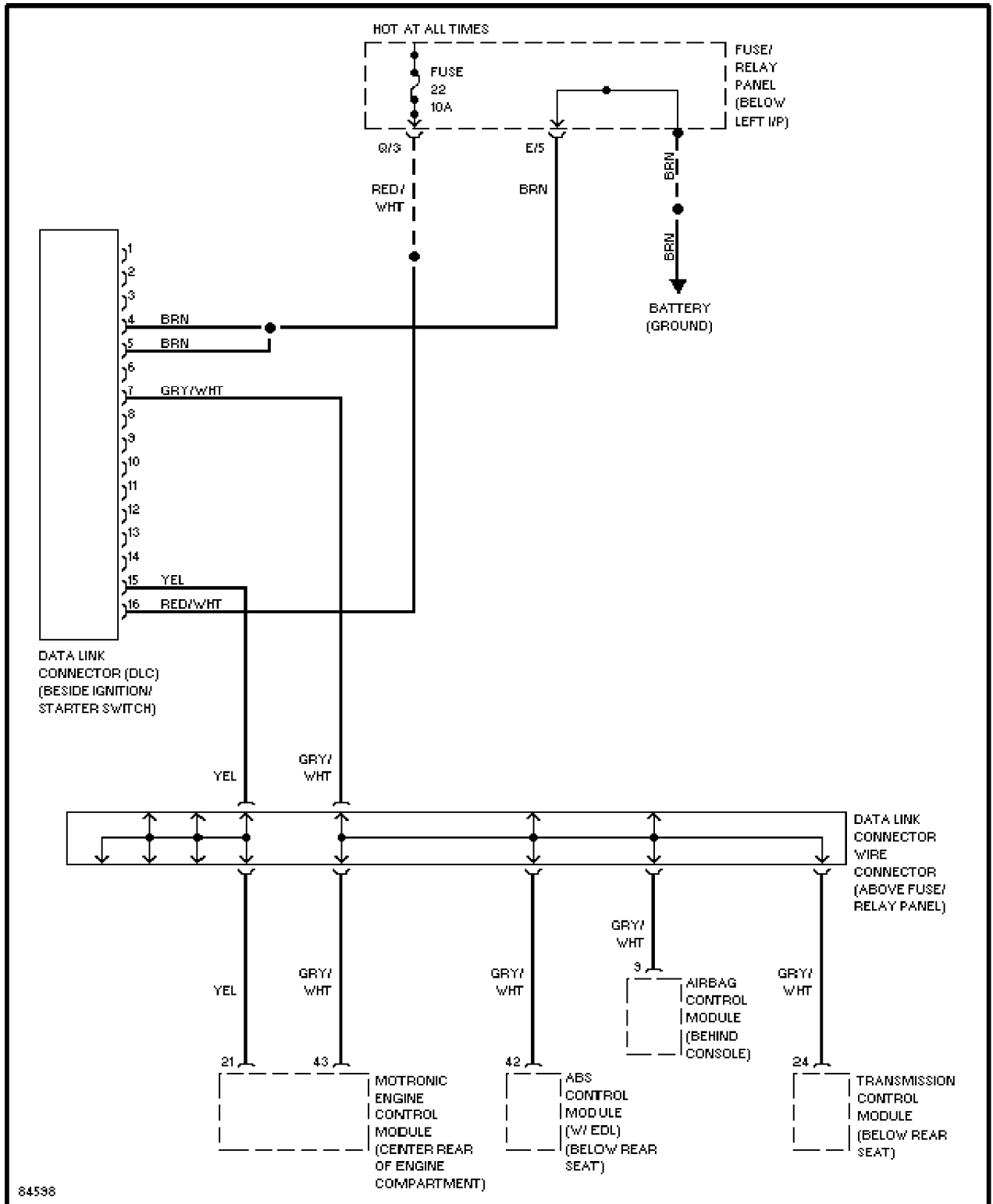
## Article Text (p. 5)

1995 Volkswagen GTI

For Volkswagen Technical Site

Copyright © 1998 Mitchell Repair Information Company, LLC

Tuesday, December 07, 1999 10:33PM



Computer Data Lines

COOLING FAN

# SYSTEM WIRING DIAGRAMS

## Article Text (p. 6)

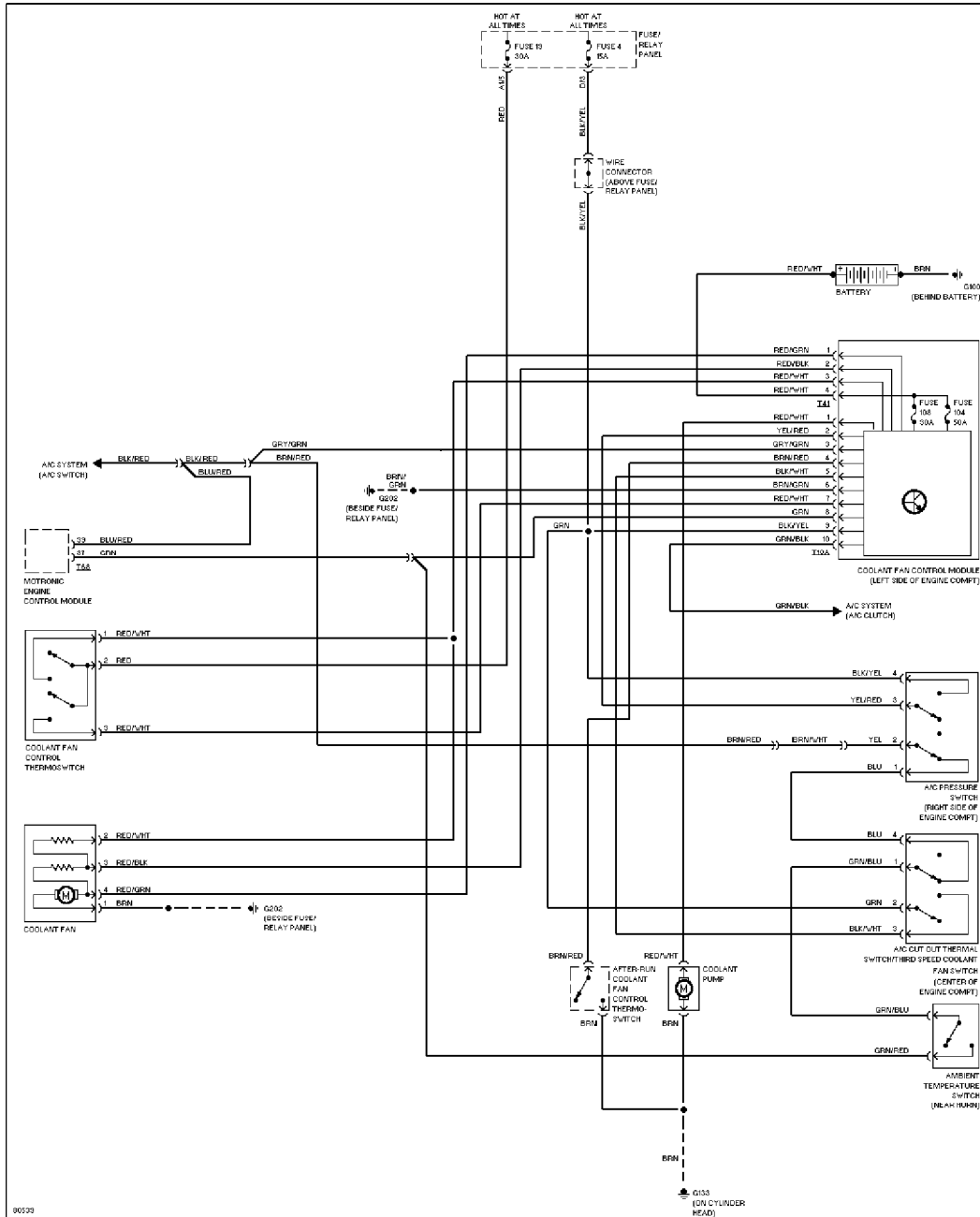
1995 Volkswagen GTI

For Volkswagen Technical Site

Copyright © 1998 Mitchell Repair Information Company, LLC

Tuesday, December 07, 1999 10:33PM

2.8L



2.8L, Cooling Fan Circuit

## CRUISE CONTROL

# SYSTEM WIRING DIAGRAMS

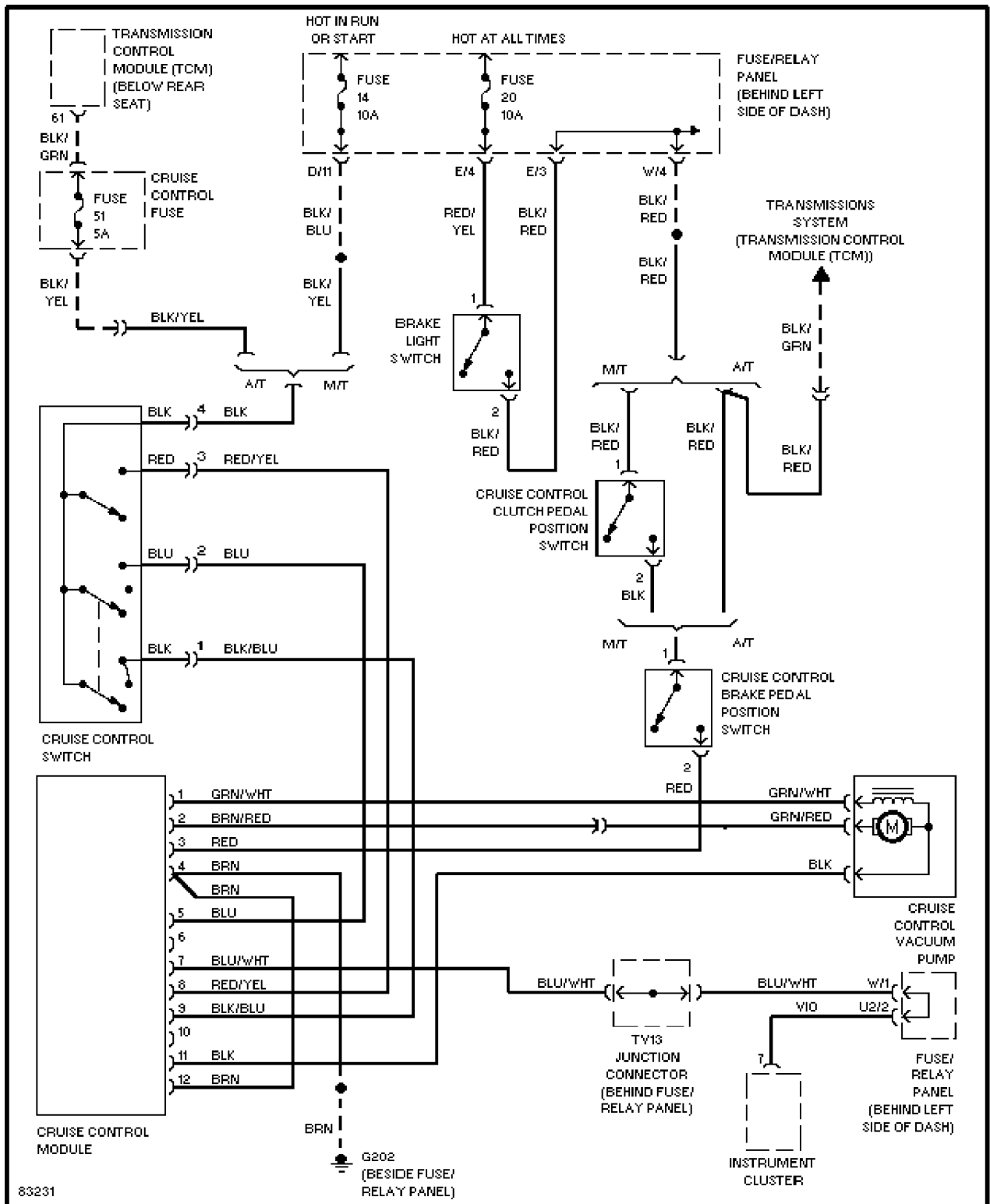
## Article Text (p. 7)

1995 Volkswagen GTI

For Volkswagen Technical Site

Copyright © 1998 Mitchell Repair Information Company, LLC

Tuesday, December 07, 1999 10:33PM



Cruise Control Circuit

# SYSTEM WIRING DIAGRAMS

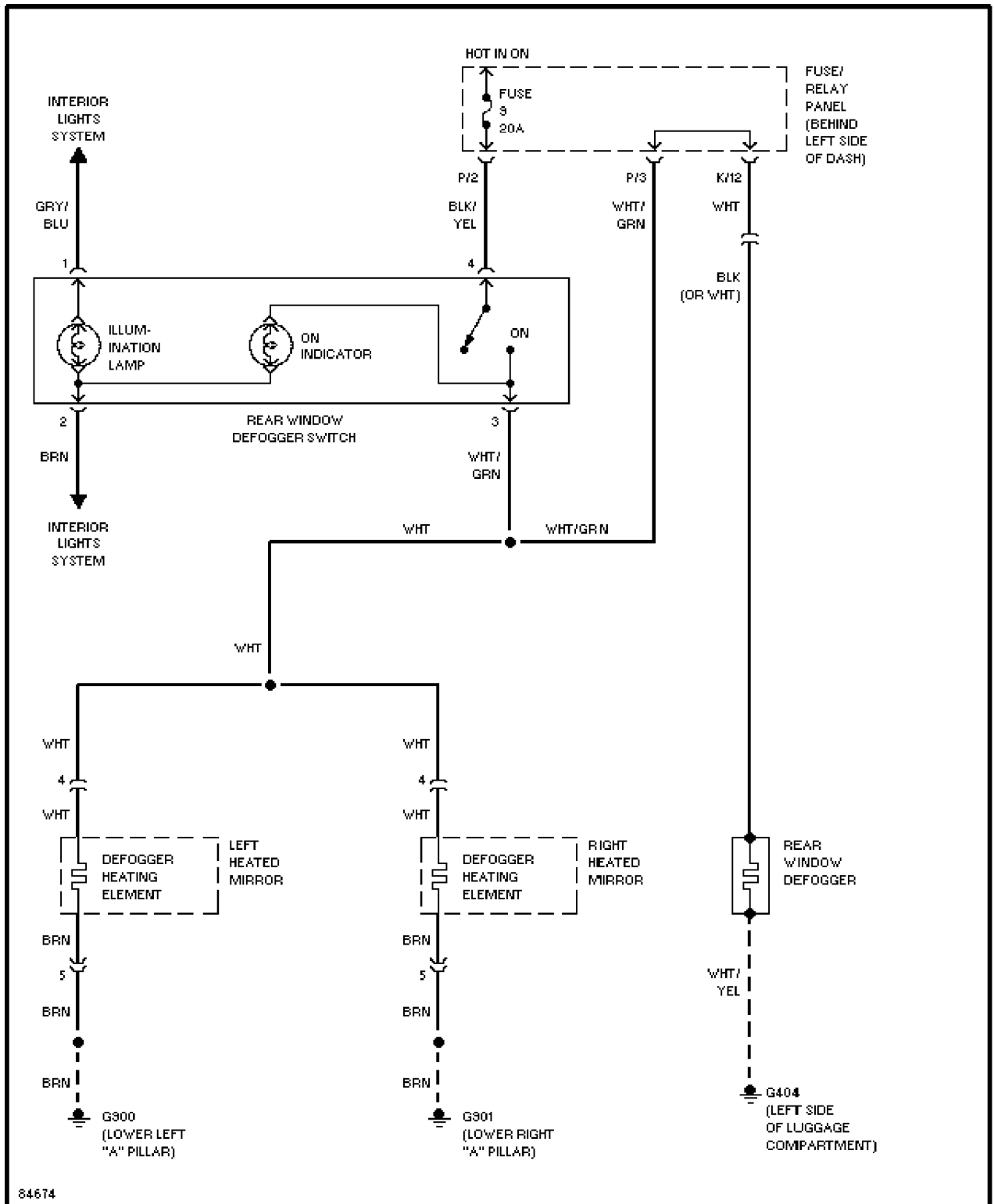
## Article Text (p. 8)

1995 Volkswagen GTI

For Volkswagen Technical Site

Copyright © 1998 Mitchell Repair Information Company, LLC

Tuesday, December 07, 1999 10:33PM



84674

Defogger Circuit



# SYSTEM WIRING DIAGRAMS

Article Text (p. 9)

1995 Volkswagen GTI

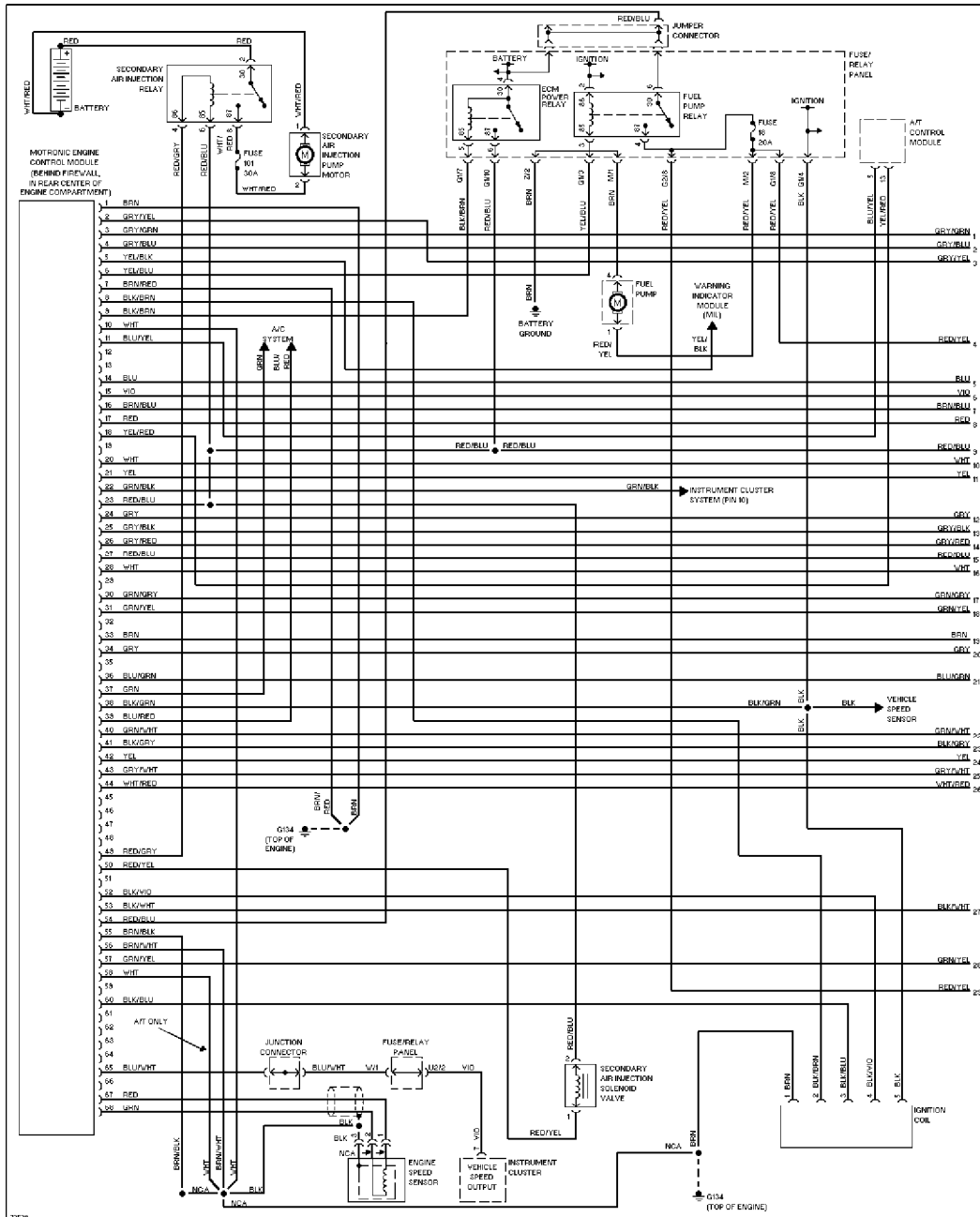
For Volkswagen Technical Site

Copyright © 1998 Mitchell Repair Information Company, LLC

Tuesday, December 07, 1999 10:33PM

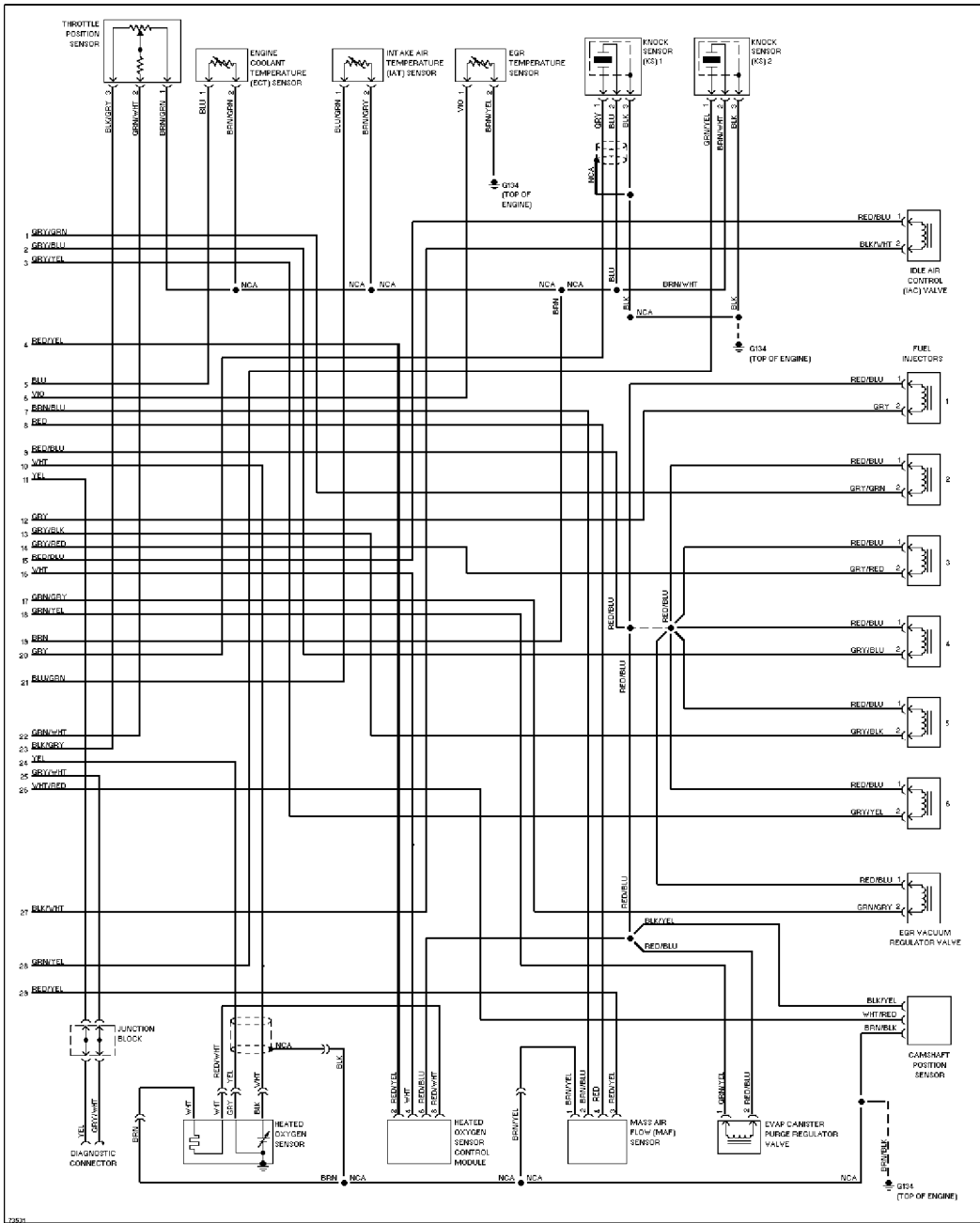
## ENGINE PERFORMANCE

2.8L



2.8L, Engine Performance Circuits (1 of 2)

**SYSTEM WIRING DIAGRAMS**  
**Article Text (p. 10)**  
 1995 Volkswagen GTI  
 For Volkswagen Technical Site  
 Copyright © 1998 Mitchell Repair Information Company, LLC  
 Tuesday, December 07, 1999 10:33PM



2.8L, Engine Performance Circuits (2 of 2)

**EXTERIOR LIGHTS**

# SYSTEM WIRING DIAGRAMS

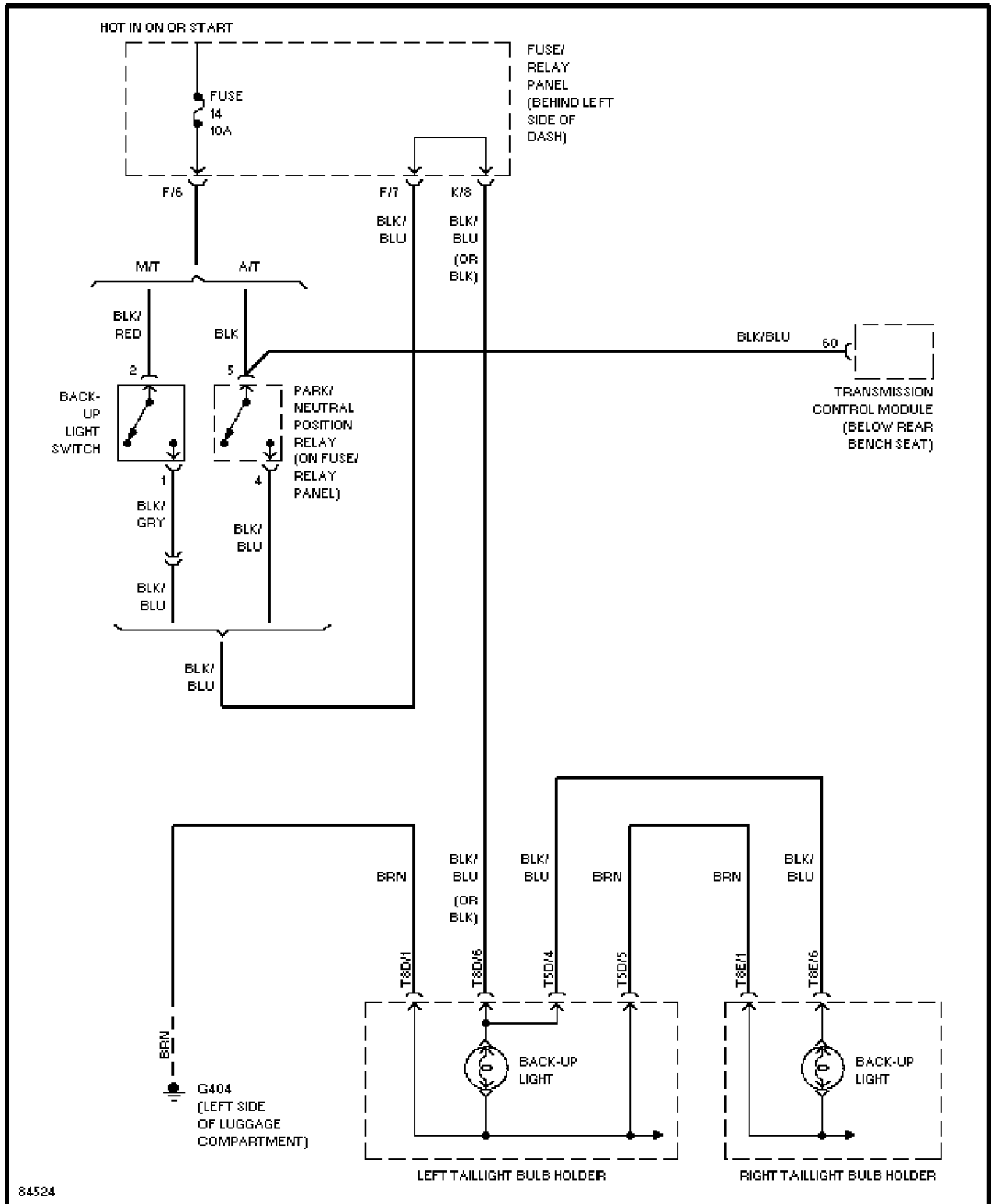
Article Text (p. 11)

1995 Volkswagen GTI

For Volkswagen Technical Site

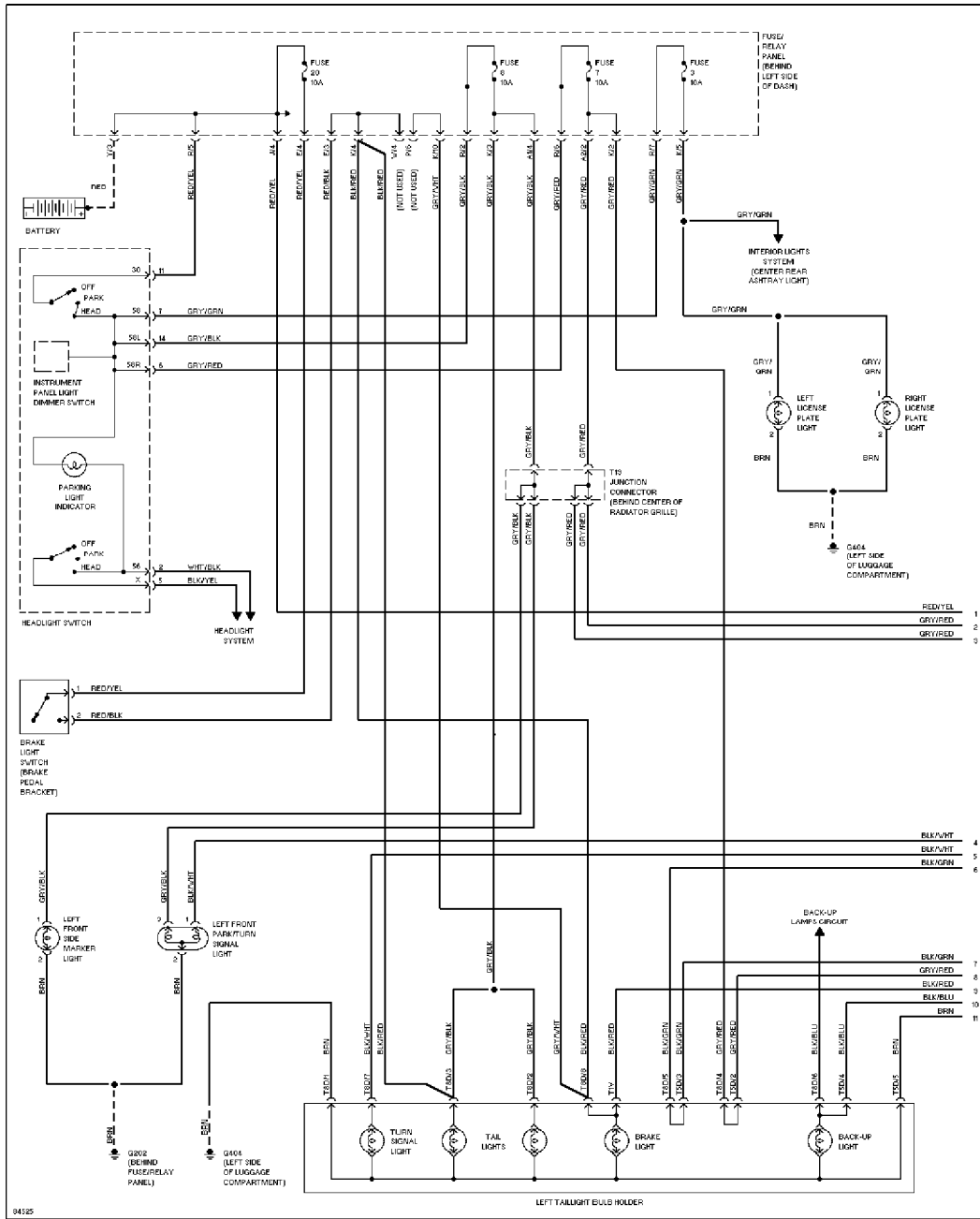
Copyright © 1998 Mitchell Repair Information Company, LLC

Tuesday, December 07, 1999 10:33PM



Back-up Lamps Circuit

**SYSTEM WIRING DIAGRAMS**  
**Article Text (p. 12)**  
 1995 Volkswagen GTI  
 For Volkswagen Technical Site  
 Copyright © 1998 Mitchell Repair Information Company, LLC  
 Tuesday, December 07, 1999 10:33PM



Exterior Lamps Circuit (1 of 2)

# SYSTEM WIRING DIAGRAMS

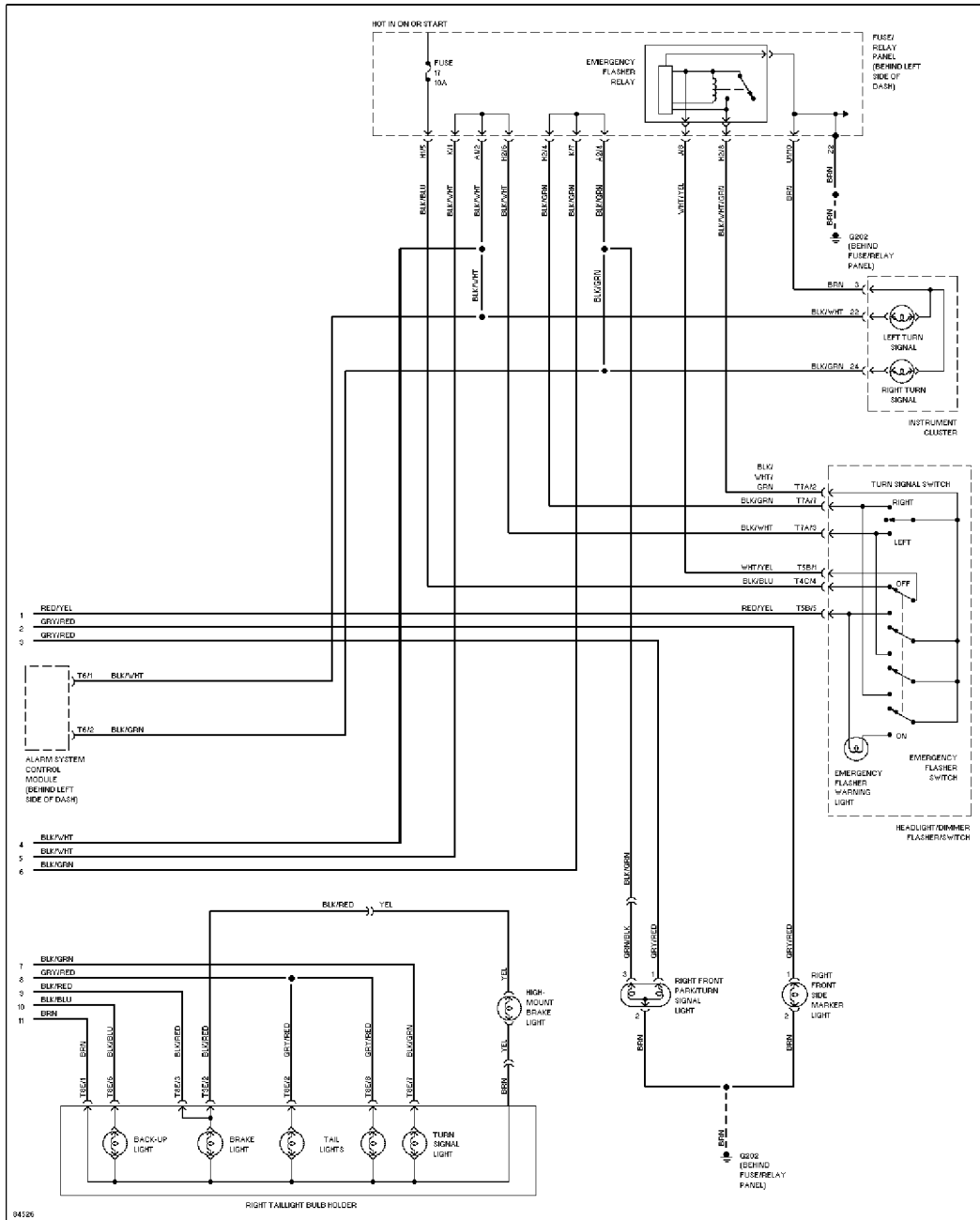
Article Text (p. 13)

1995 Volkswagen GTI

For Volkswagen Technical Site

Copyright © 1998 Mitchell Repair Information Company, LLC

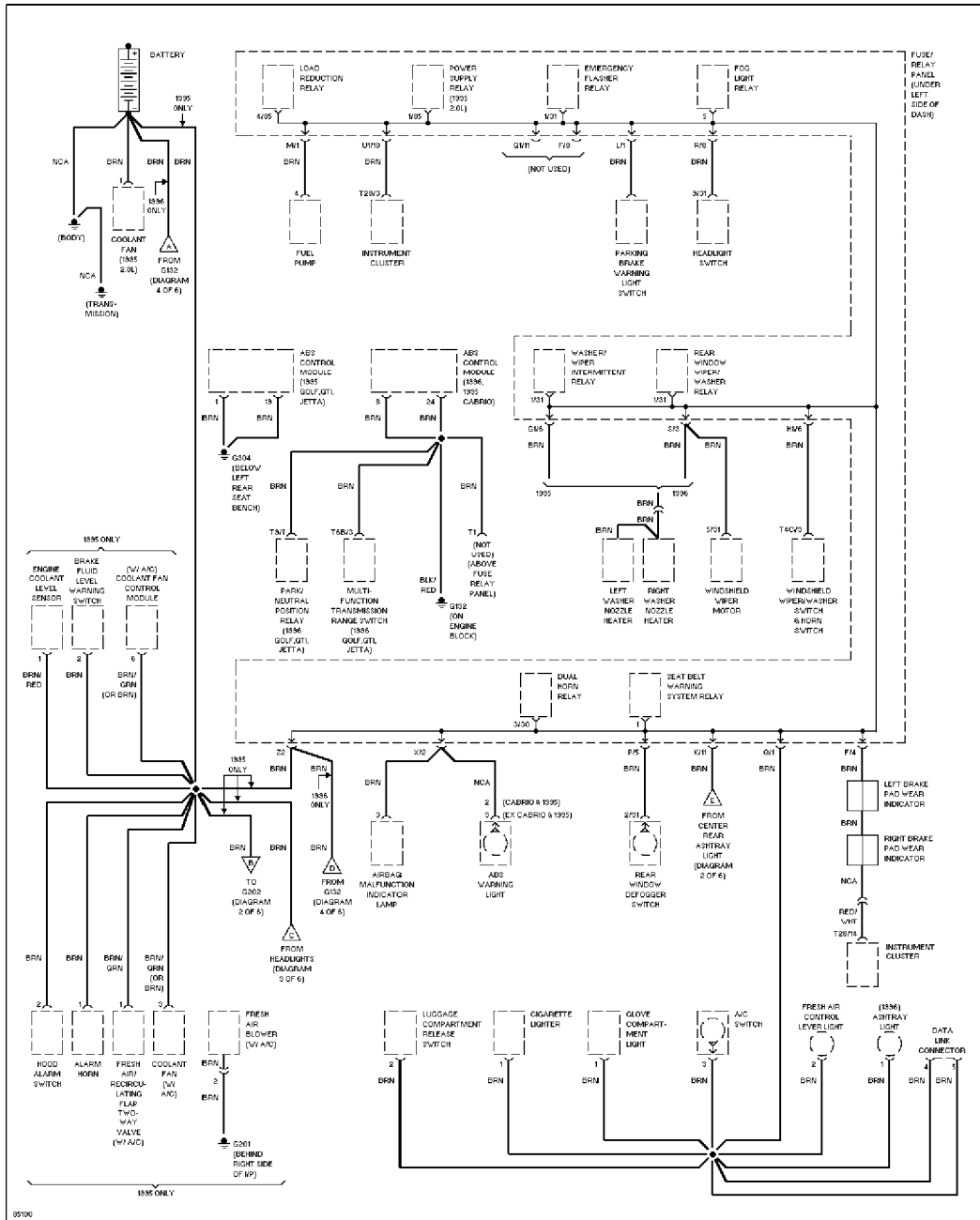
Tuesday, December 07, 1999 10:33PM



Exterior Lamps Circuit (2 of 2)

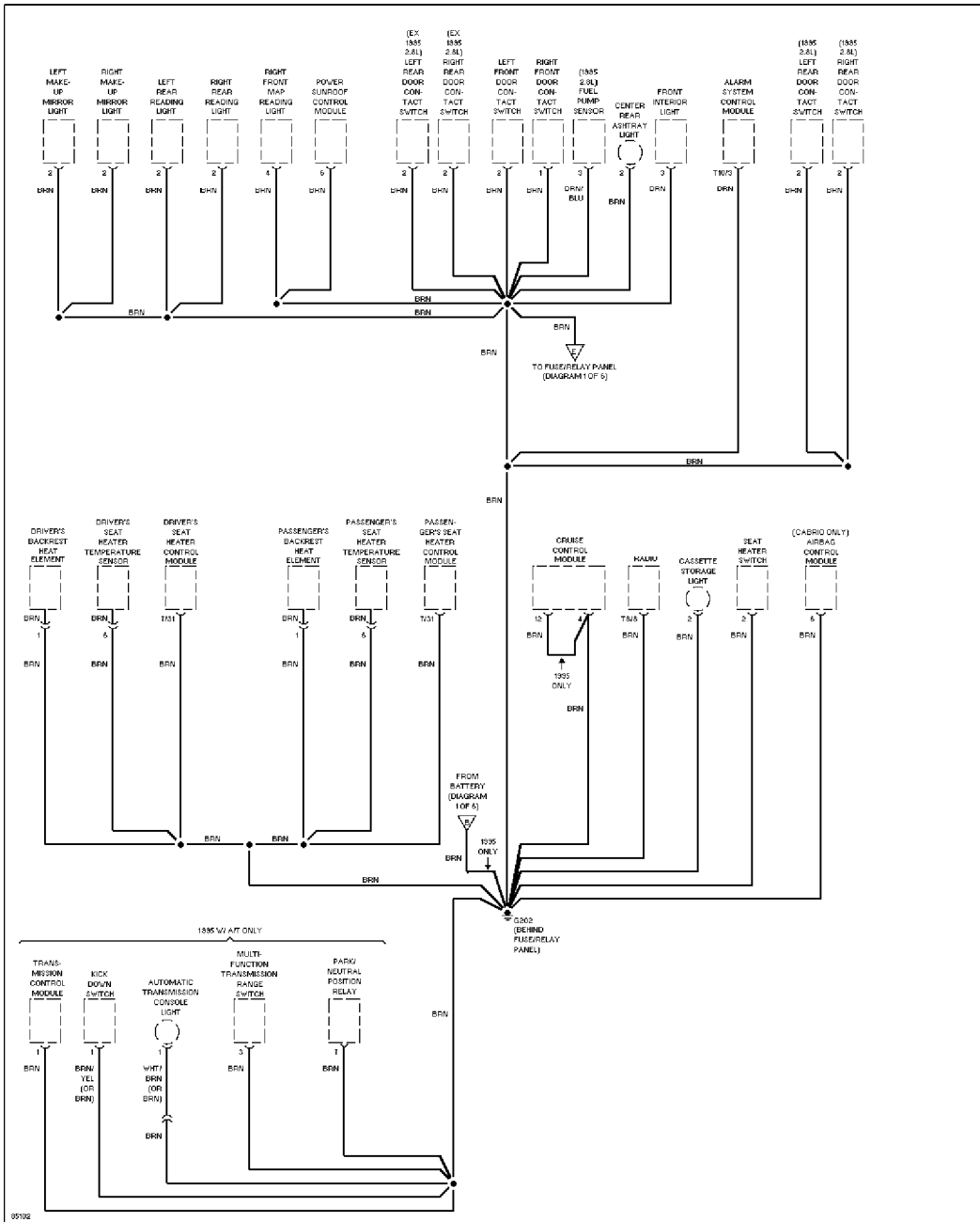
## GROUND DISTRIBUTION

**SYSTEM WIRING DIAGRAMS**  
**Article Text (p. 14)**  
 1995 Volkswagen GTI  
 For Volkswagen Technical Site  
 Copyright © 1998 Mitchell Repair Information Company, LLC  
 Tuesday, December 07, 1999 10:33PM



Ground Distribution Circuit (1 of 6)

**SYSTEM WIRING DIAGRAMS**  
**Article Text (p. 15)**  
 1995 Volkswagen GTI  
 For Volkswagen Technical Site  
 Copyright © 1998 Mitchell Repair Information Company, LLC  
 Tuesday, December 07, 1999 10:33PM



Ground Distribution Circuit (2 of 6)

# SYSTEM WIRING DIAGRAMS

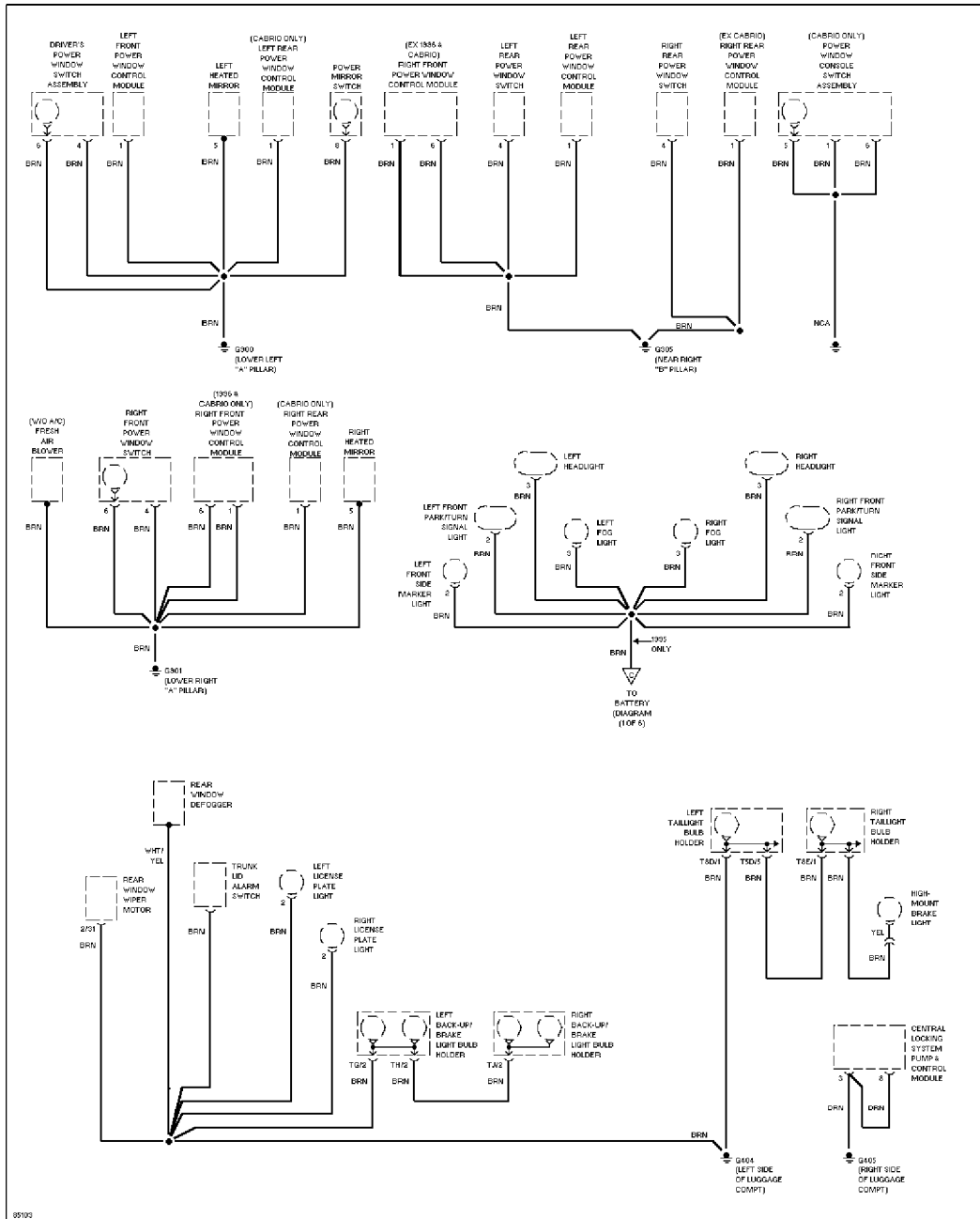
Article Text (p. 16)

1995 Volkswagen GTI

For Volkswagen Technical Site

Copyright © 1998 Mitchell Repair Information Company, LLC

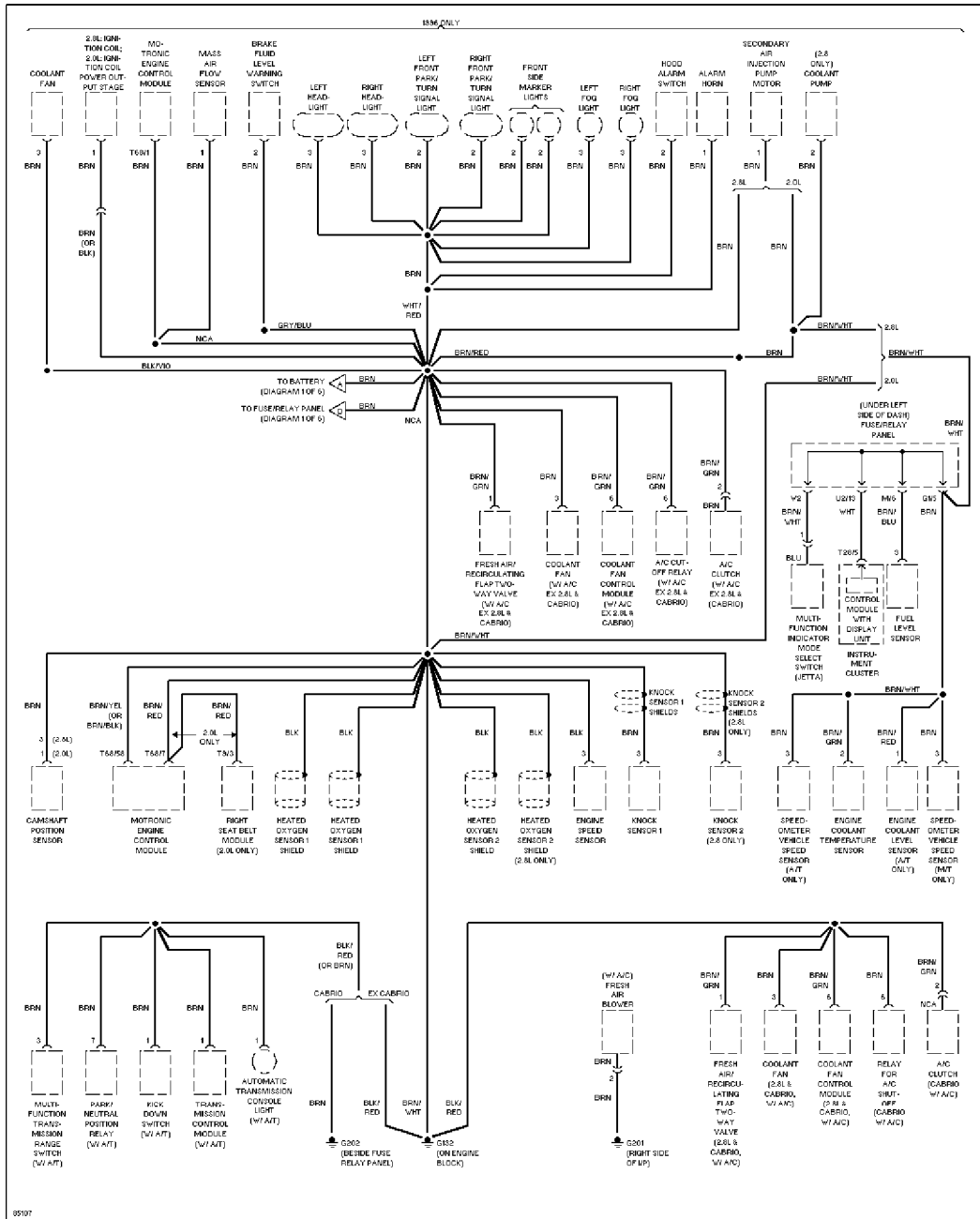
Tuesday, December 07, 1999 10:33PM



Ground Distribution Circuit (3 of 6)



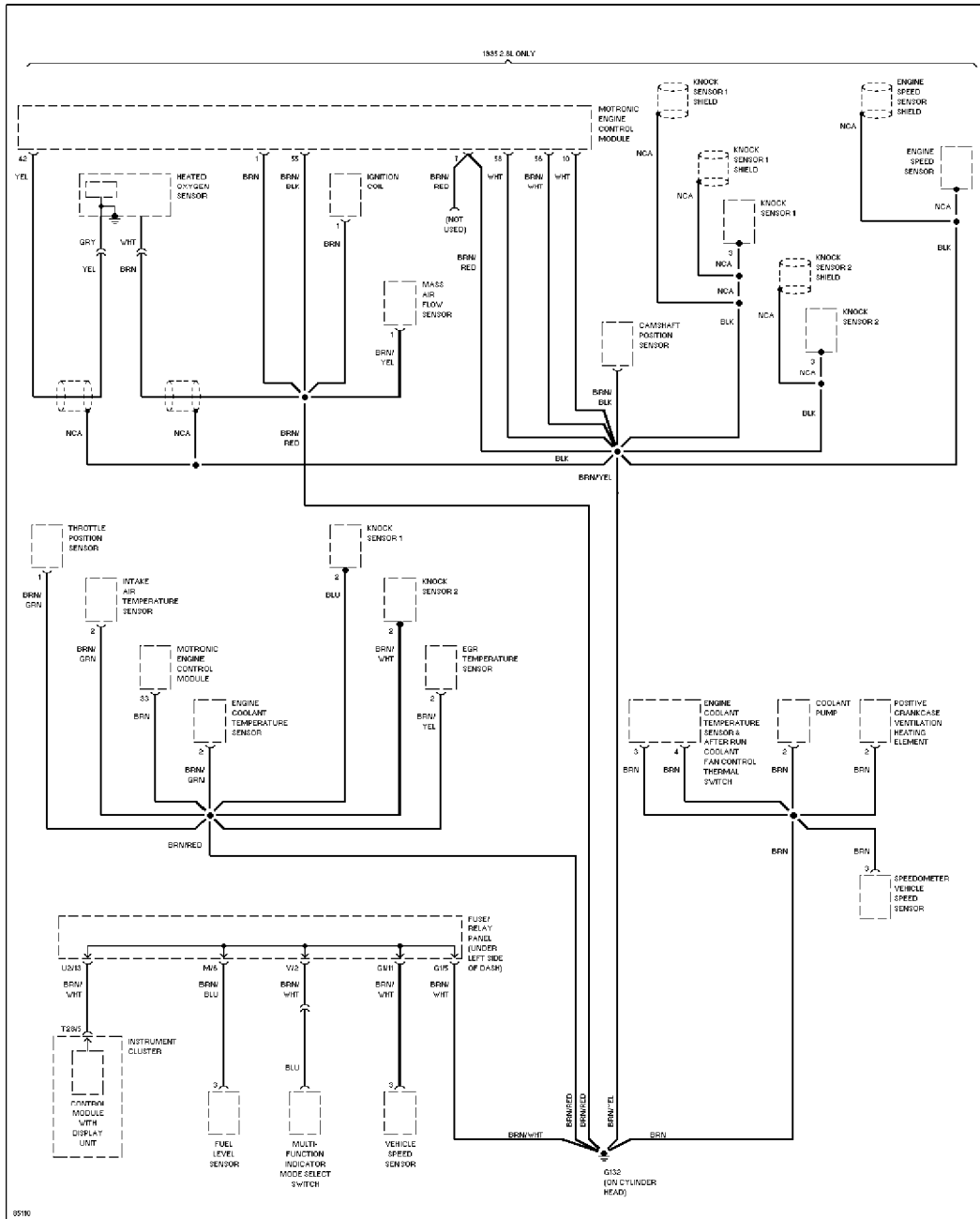
**SYSTEM WIRING DIAGRAMS**  
**Article Text (p. 17)**  
 1995 Volkswagen GTI  
 For Volkswagen Technical Site  
 Copyright © 1998 Mitchell Repair Information Company, LLC  
 Tuesday, December 07, 1999 10:33PM



Ground Distribution Circuit (4 of 6)



**SYSTEM WIRING DIAGRAMS**  
**Article Text (p. 19)**  
 1995 Volkswagen GTI  
 For Volkswagen Technical Site  
 Copyright © 1998 Mitchell Repair Information Company, LLC  
 Tuesday, December 07, 1999 10:33PM



Ground Distribution Circuit (6 of 6)

**HEADLIGHTS**

# SYSTEM WIRING DIAGRAMS

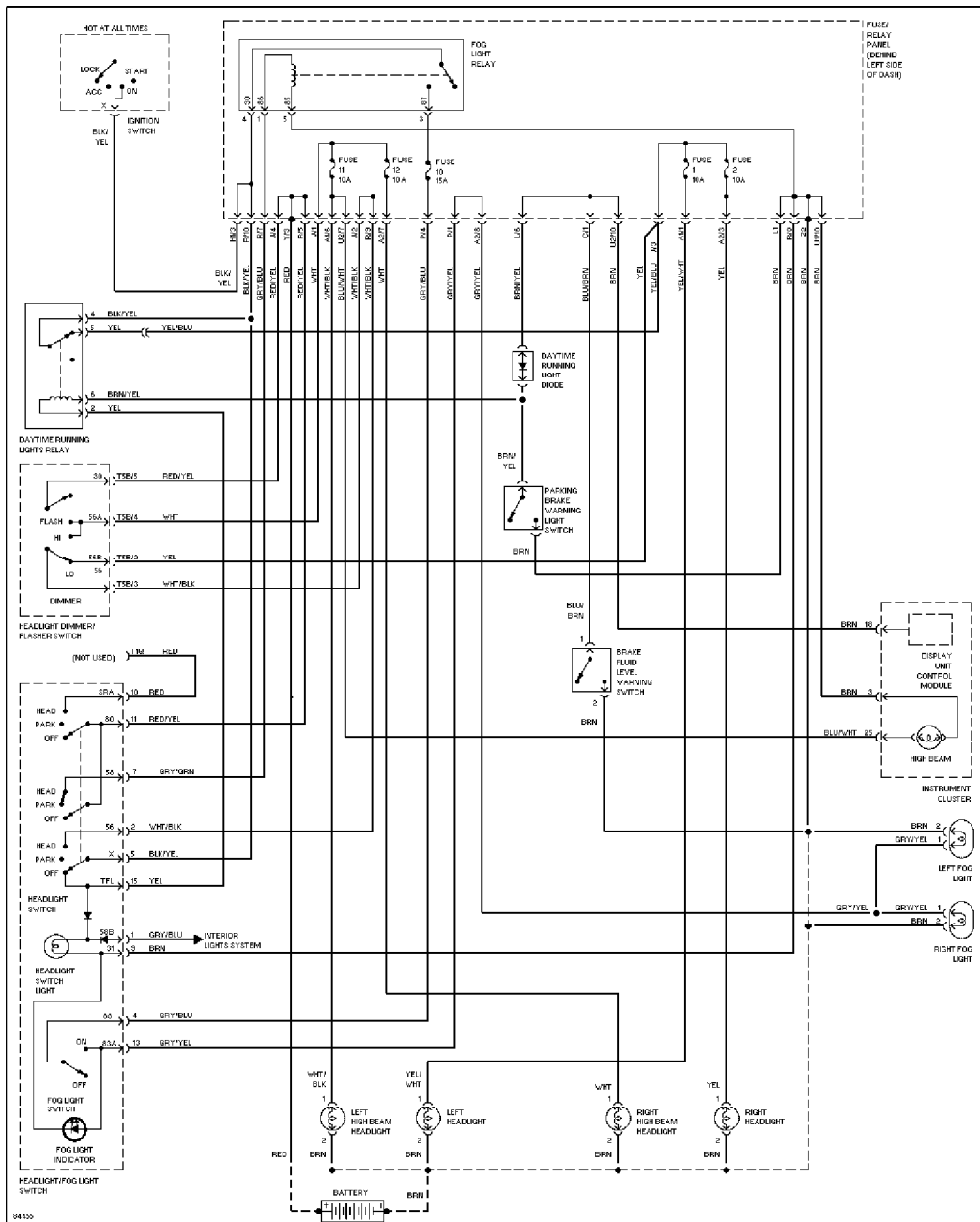
Article Text (p. 20)

1995 Volkswagen GTI

For Volkswagen Technical Site

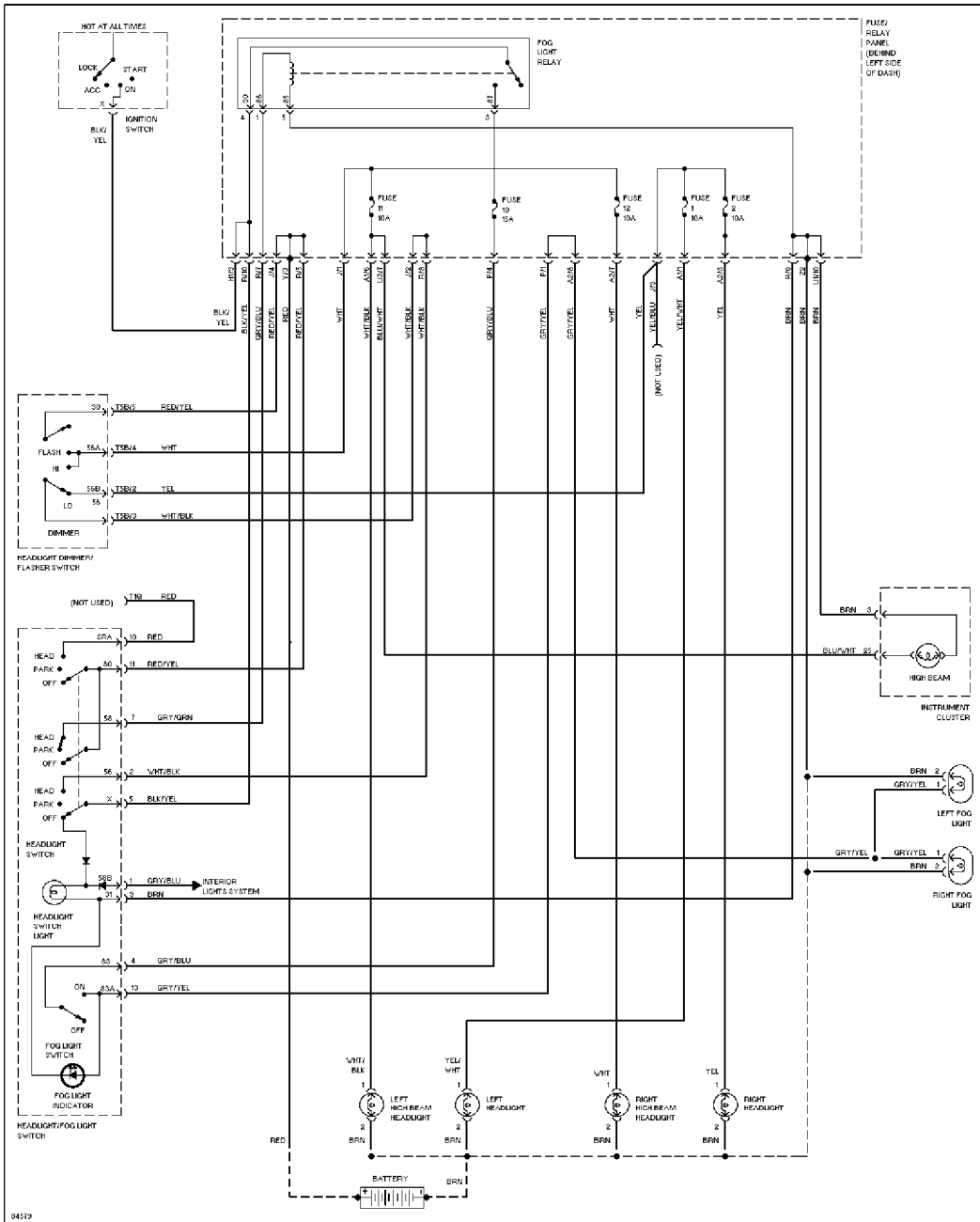
Copyright © 1998 Mitchell Repair Information Company, LLC

Tuesday, December 07, 1999 10:33PM



Headlight Circuit, W/ DRL

**SYSTEM WIRING DIAGRAMS**  
**Article Text (p. 21)**  
 1995 Volkswagen GTI  
 For Volkswagen Technical Site  
 Copyright © 1998 Mitchell Repair Information Company, LLC  
 Tuesday, December 07, 1999 10:33PM



Headlight Circuit, W/O DRL

**HORN**

# SYSTEM WIRING DIAGRAMS

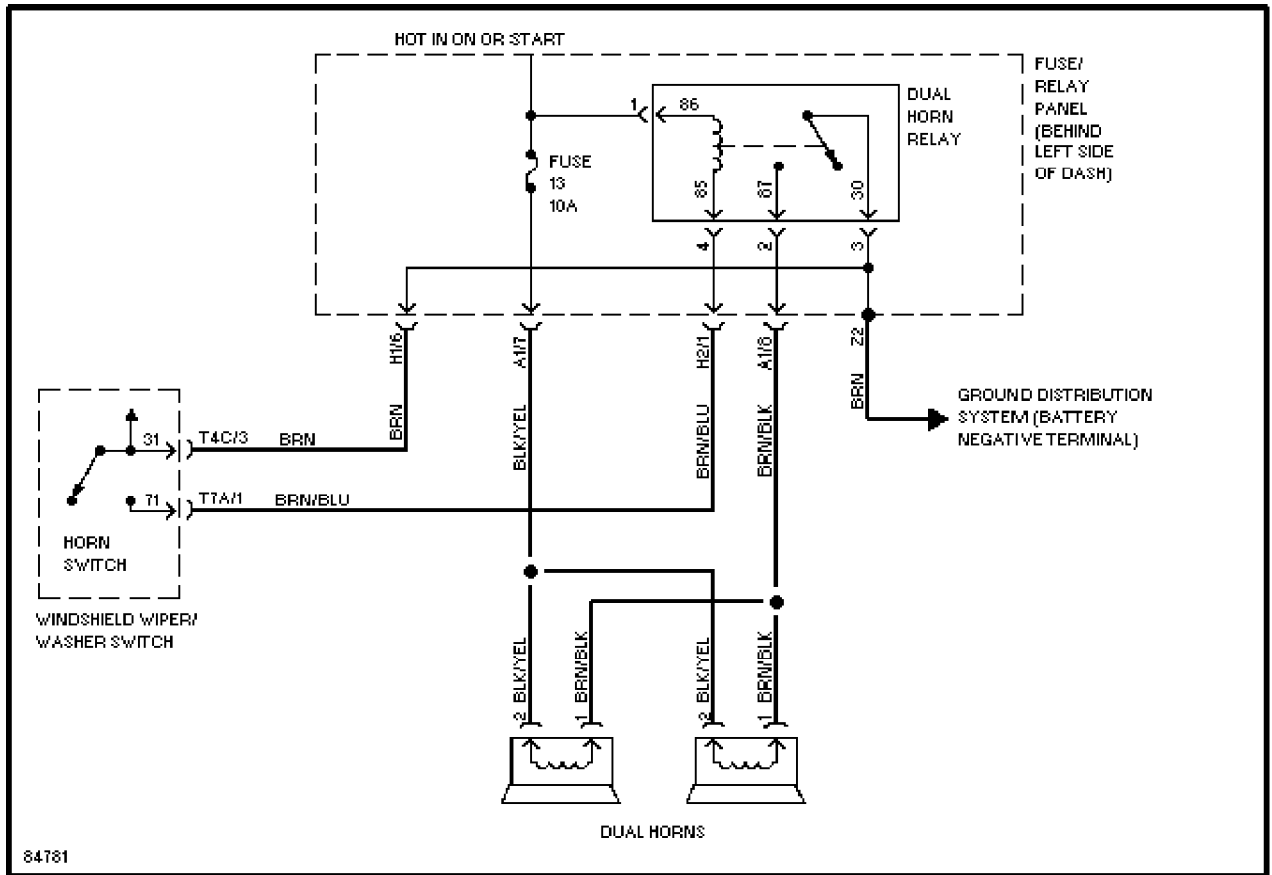
## Article Text (p. 22)

1995 Volkswagen GTI

For Volkswagen Technical Site

Copyright © 1998 Mitchell Repair Information Company, LLC

Tuesday, December 07, 1999 10:33PM



Horn Circuit

## INSTRUMENT CLUSTER

# SYSTEM WIRING DIAGRAMS

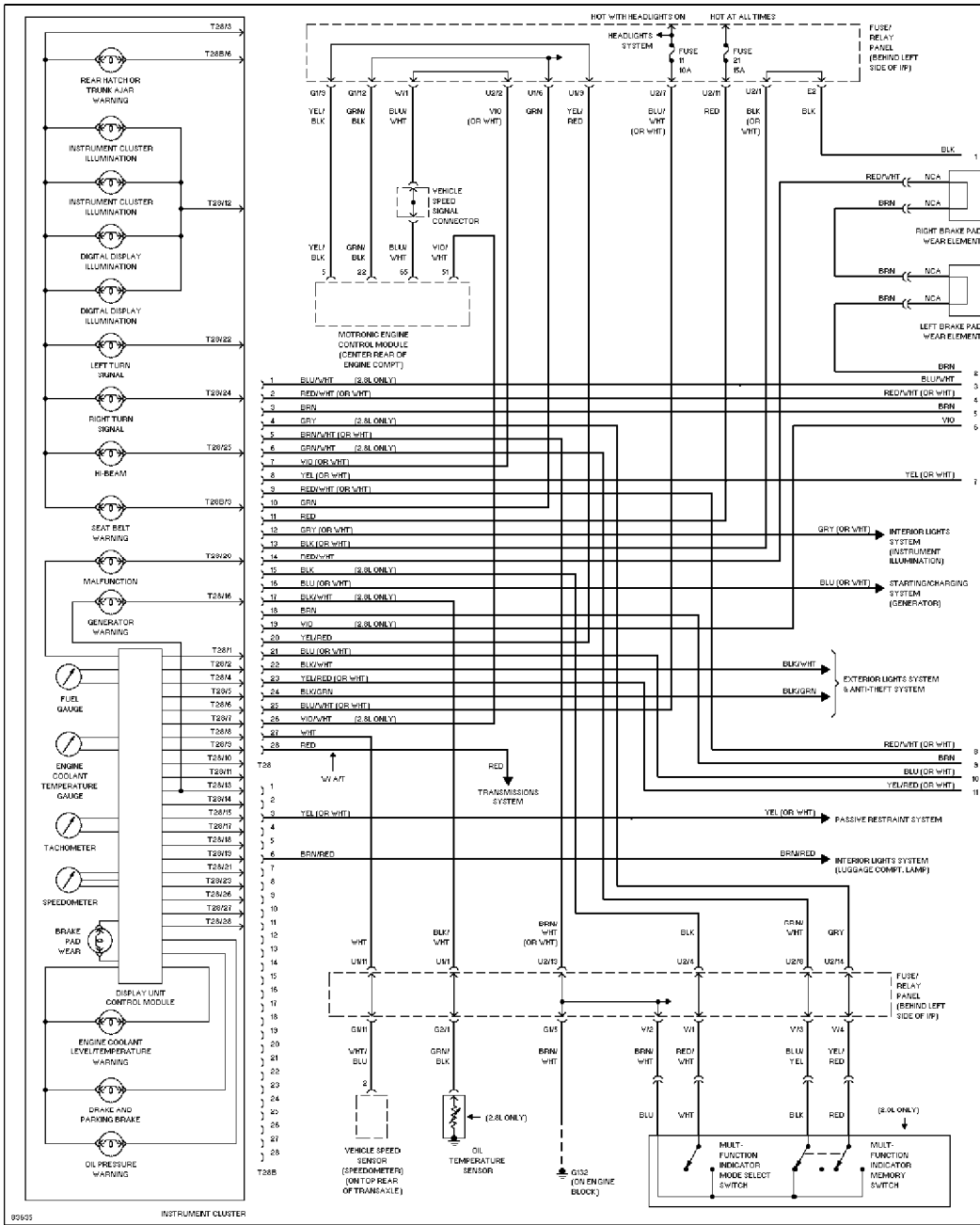
## Article Text (p. 23)

1995 Volkswagen GTI

For Volkswagen Technical Site

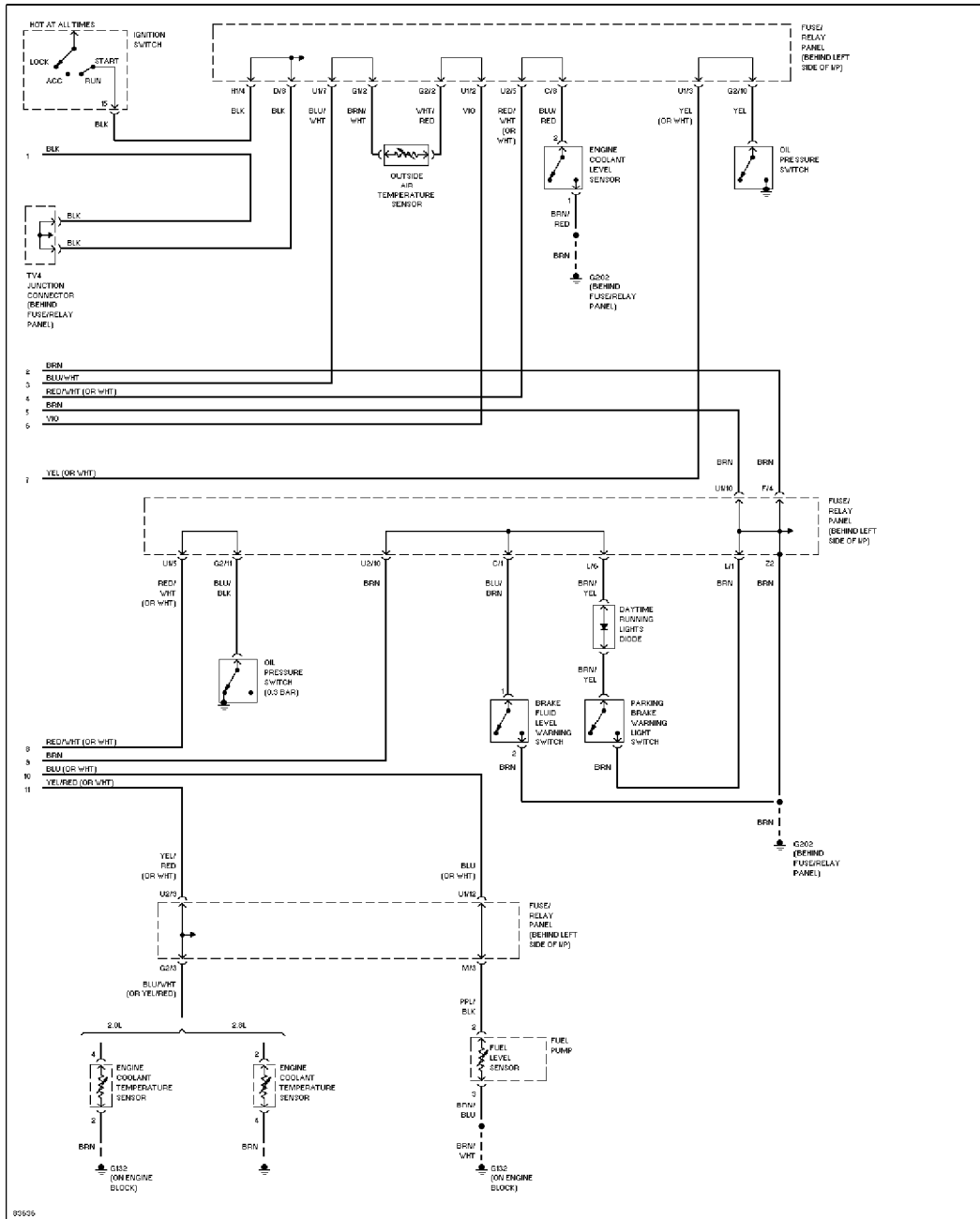
Copyright © 1998 Mitchell Repair Information Company, LLC

Tuesday, December 07, 1999 10:33PM



Instrument Cluster Circuit (1 of 2)

**SYSTEM WIRING DIAGRAMS**  
**Article Text (p. 24)**  
 1995 Volkswagen GTI  
 For Volkswagen Technical Site  
 Copyright © 1998 Mitchell Repair Information Company, LLC  
 Tuesday, December 07, 1999 10:33PM



Instrument Cluster Circuit (2 of 2)

**INTERIOR LIGHTS**



# SYSTEM WIRING DIAGRAMS

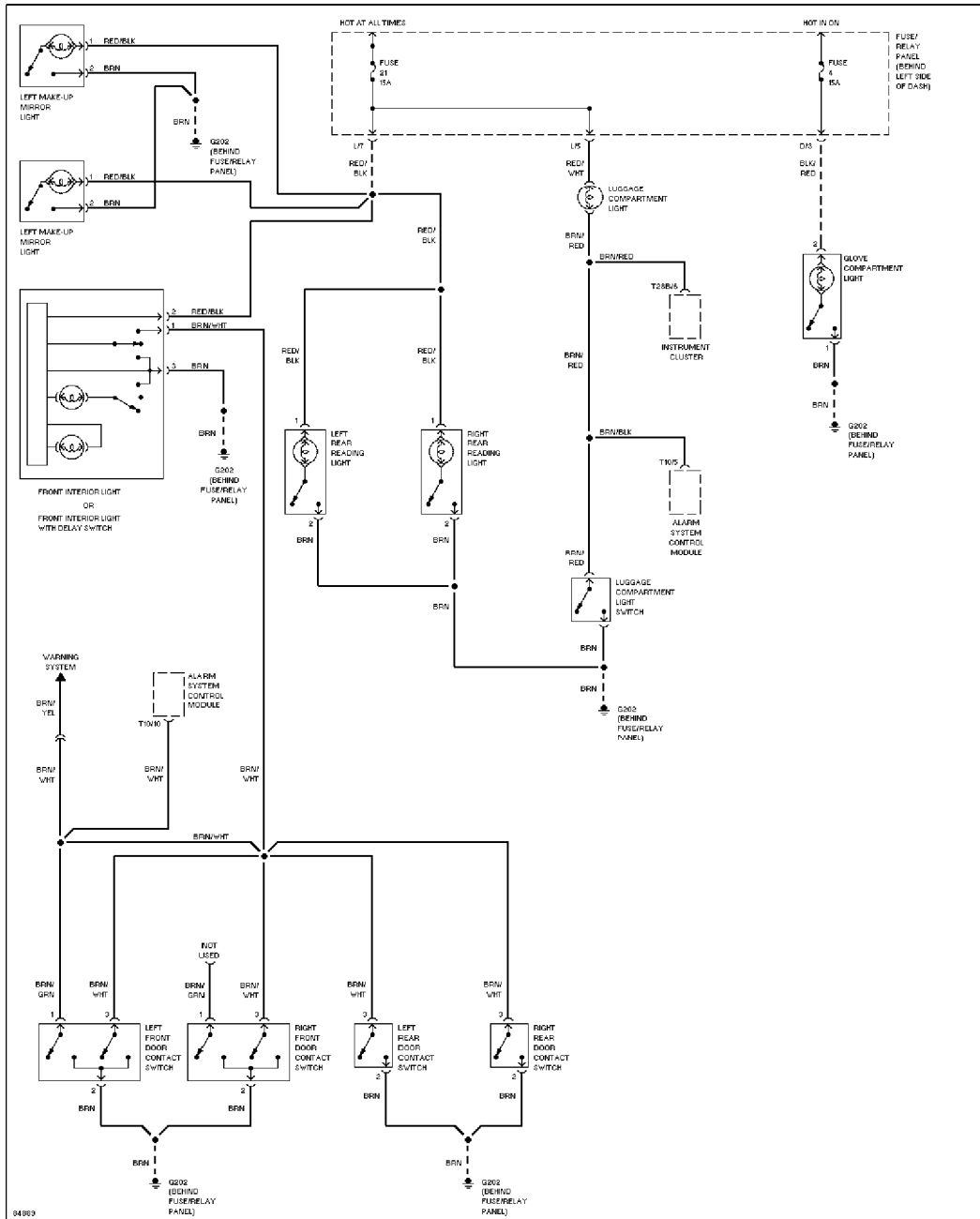
Article Text (p. 25)

1995 Volkswagen GTI

For Volkswagen Technical Site

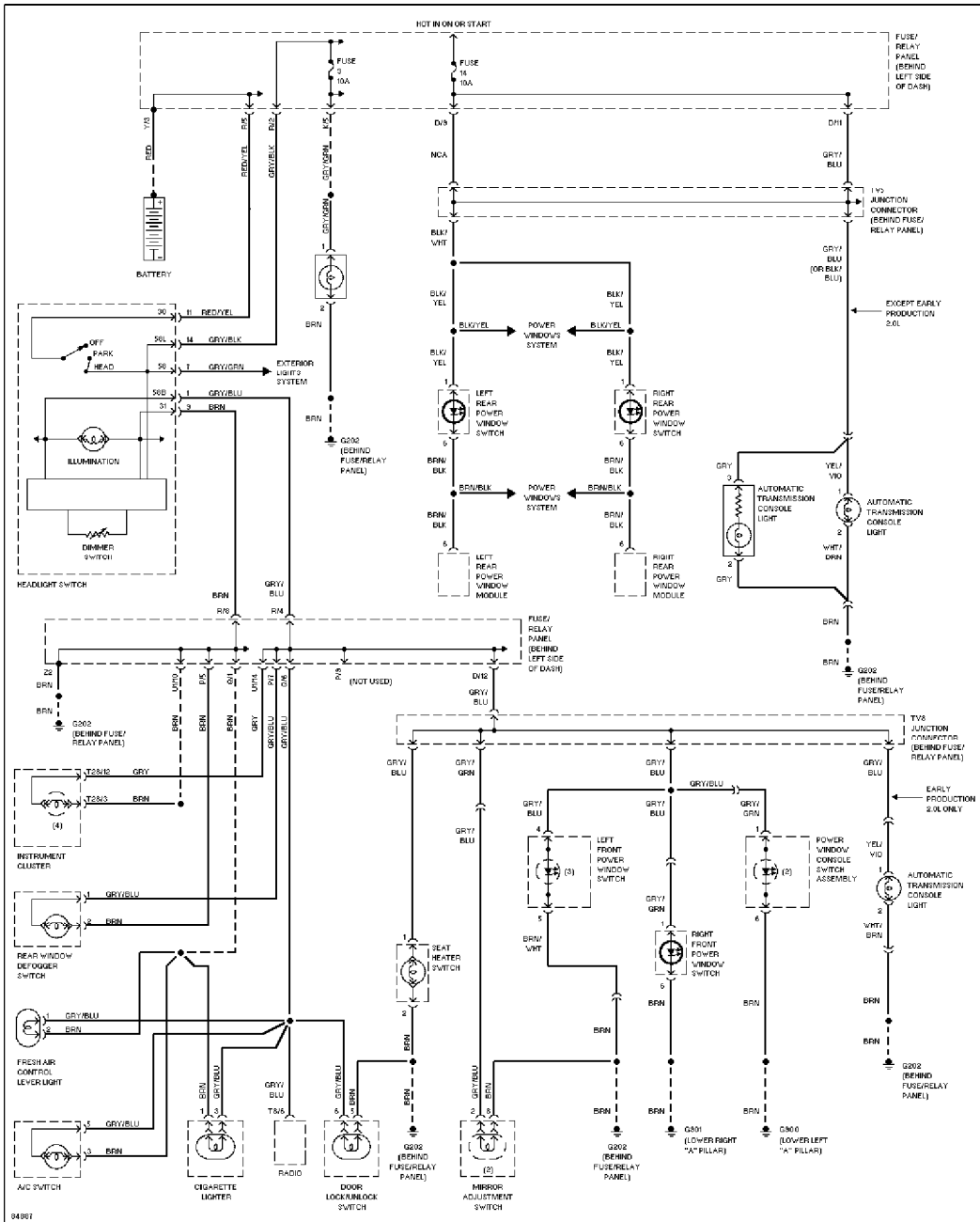
Copyright © 1998 Mitchell Repair Information Company, LLC

Tuesday, December 07, 1999 10:33PM



Courtesy Lamp Circuit

**SYSTEM WIRING DIAGRAMS**  
**Article Text (p. 26)**  
 1995 Volkswagen GTI  
 For Volkswagen Technical Site  
 Copyright © 1998 Mitchell Repair Information Company, LLC  
 Tuesday, December 07, 1999 10:33PM



Instrument Illumination Circuit

**POWER DISTRIBUTION**

# SYSTEM WIRING DIAGRAMS

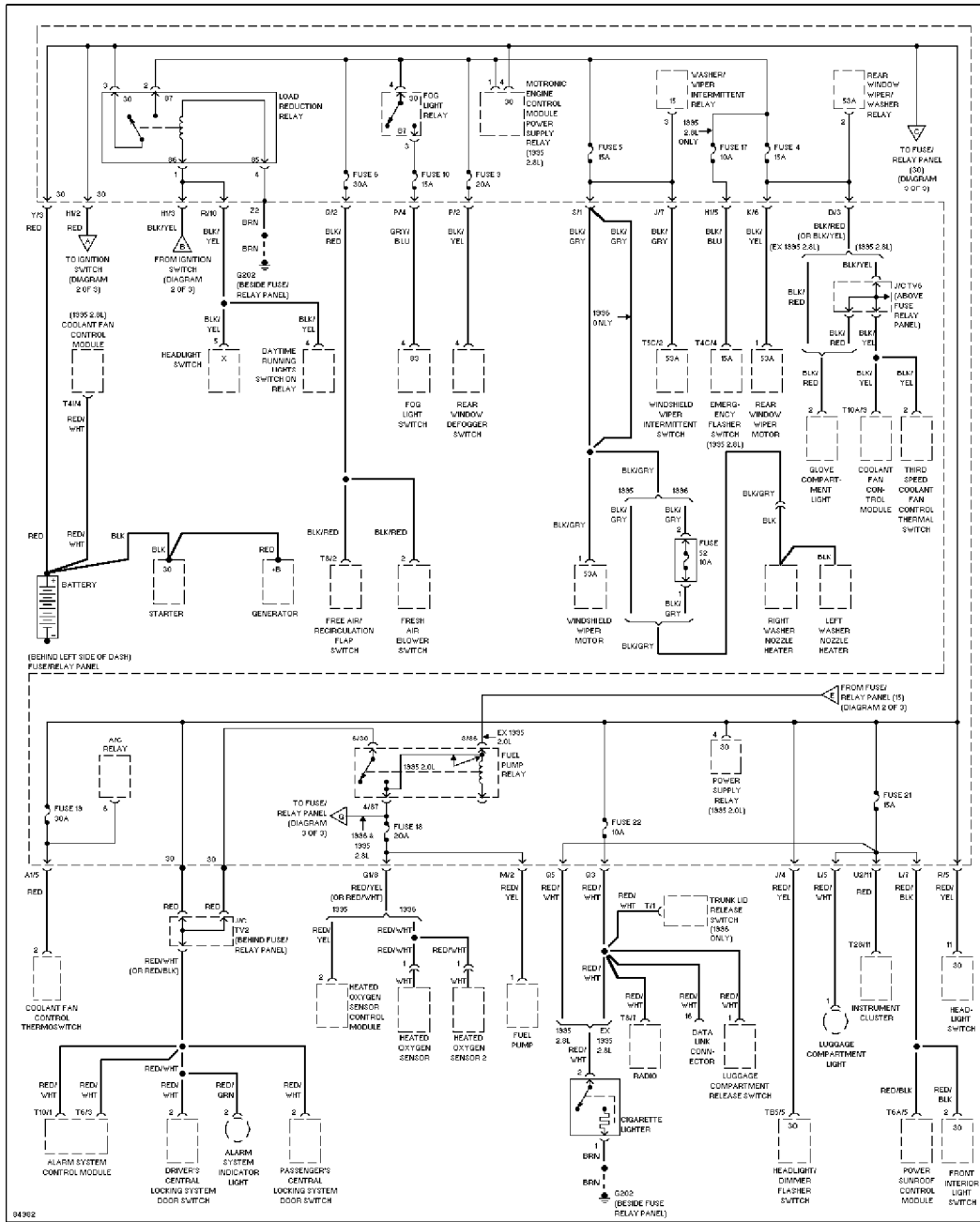
Article Text (p. 27)

1995 Volkswagen GTI

For Volkswagen Technical Site

Copyright © 1998 Mitchell Repair Information Company, LLC

Tuesday, December 07, 1999 10:33PM



Power Distribution Circuit (1 of 3)

# SYSTEM WIRING DIAGRAMS

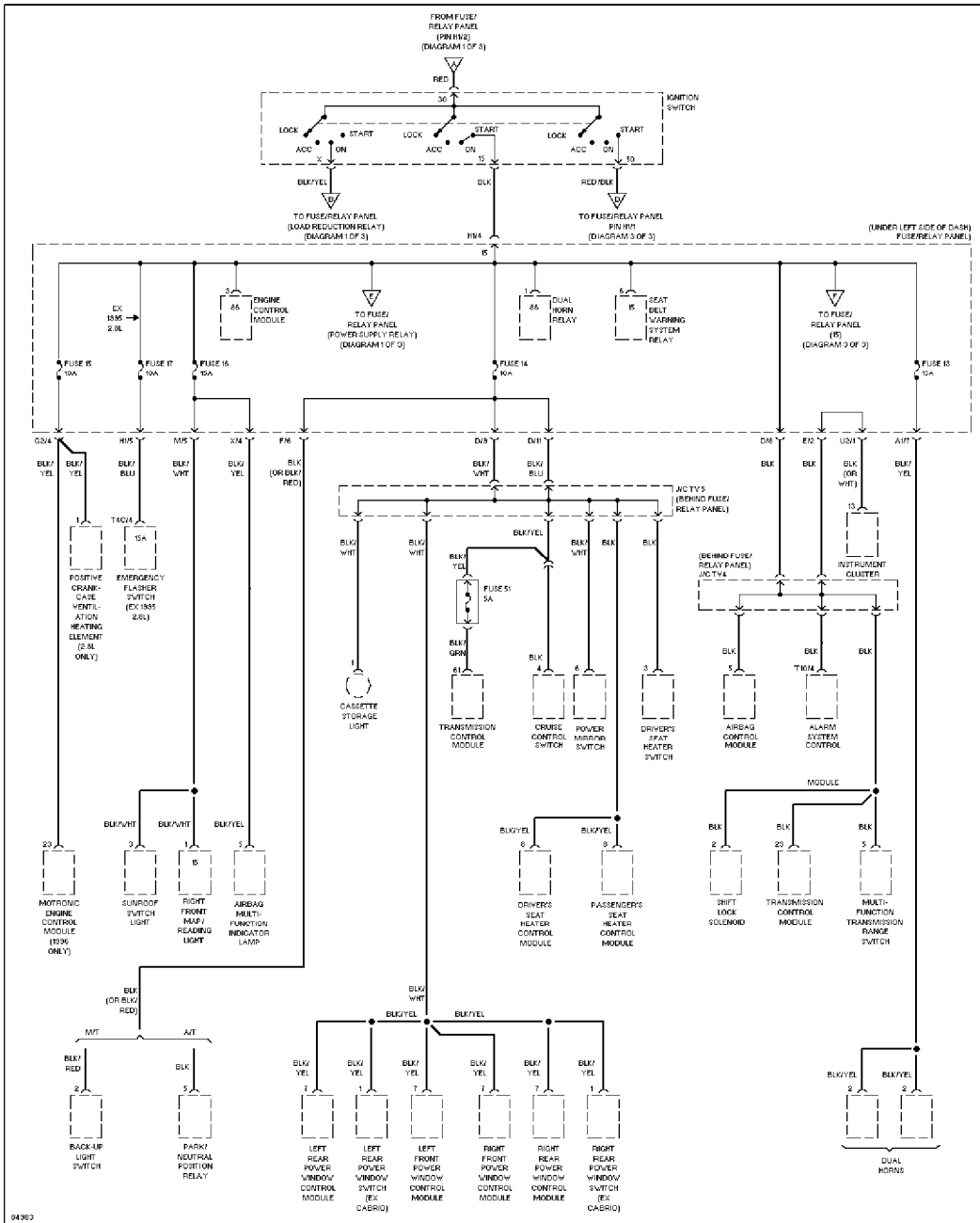
Article Text (p. 28)

1995 Volkswagen GTI

For Volkswagen Technical Site

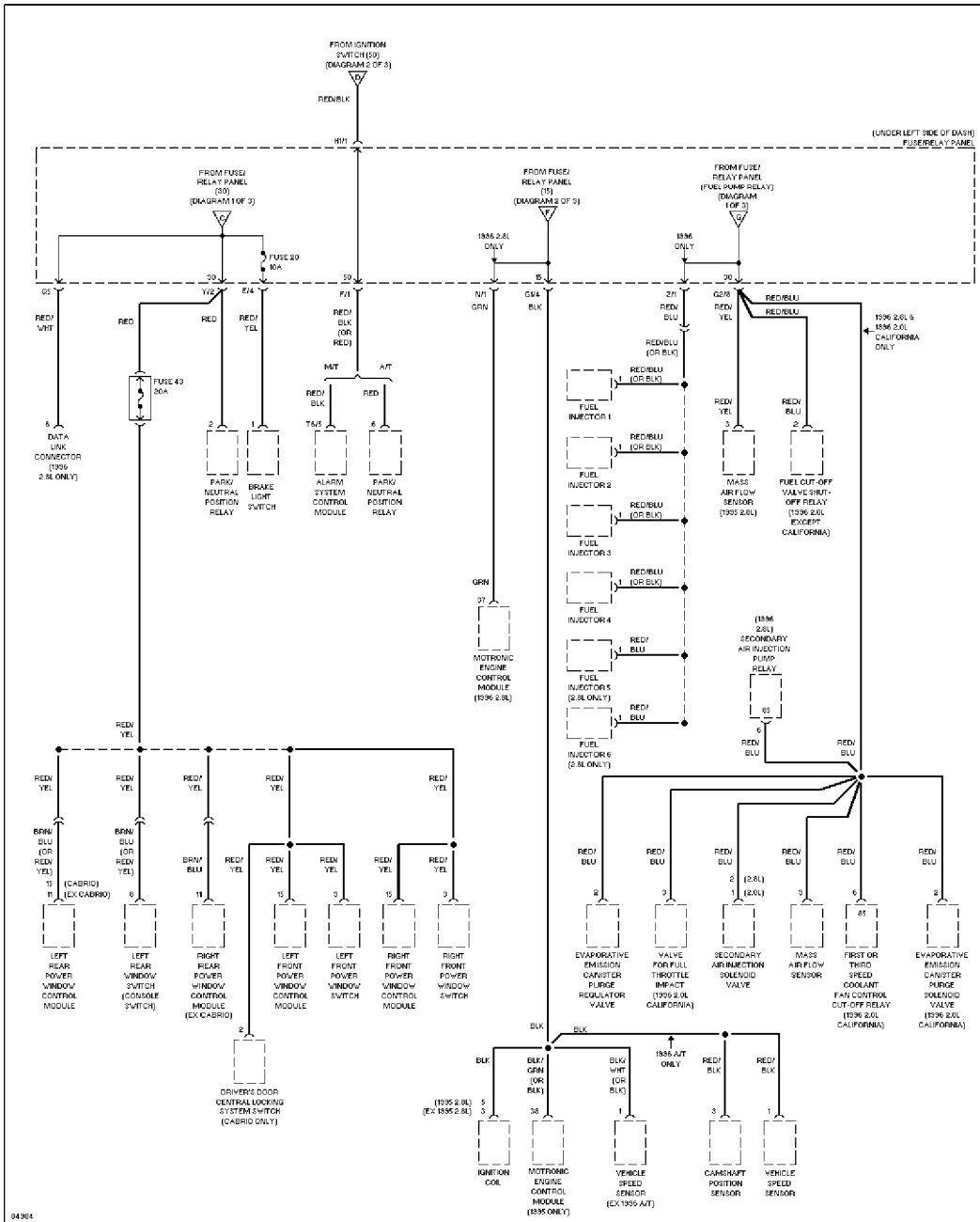
Copyright © 1998 Mitchell Repair Information Company, LLC

Tuesday, December 07, 1999 10:33PM



Power Distribution Circuit (2 of 3)

**SYSTEM WIRING DIAGRAMS**  
**Article Text (p. 29)**  
 1995 Volkswagen GTI  
 For Volkswagen Technical Site  
 Copyright © 1998 Mitchell Repair Information Company, LLC  
 Tuesday, December 07, 1999 10:33PM



Power Distribution Circuit (3 of 3)

**POWER DOOR LOCKS**

# SYSTEM WIRING DIAGRAMS

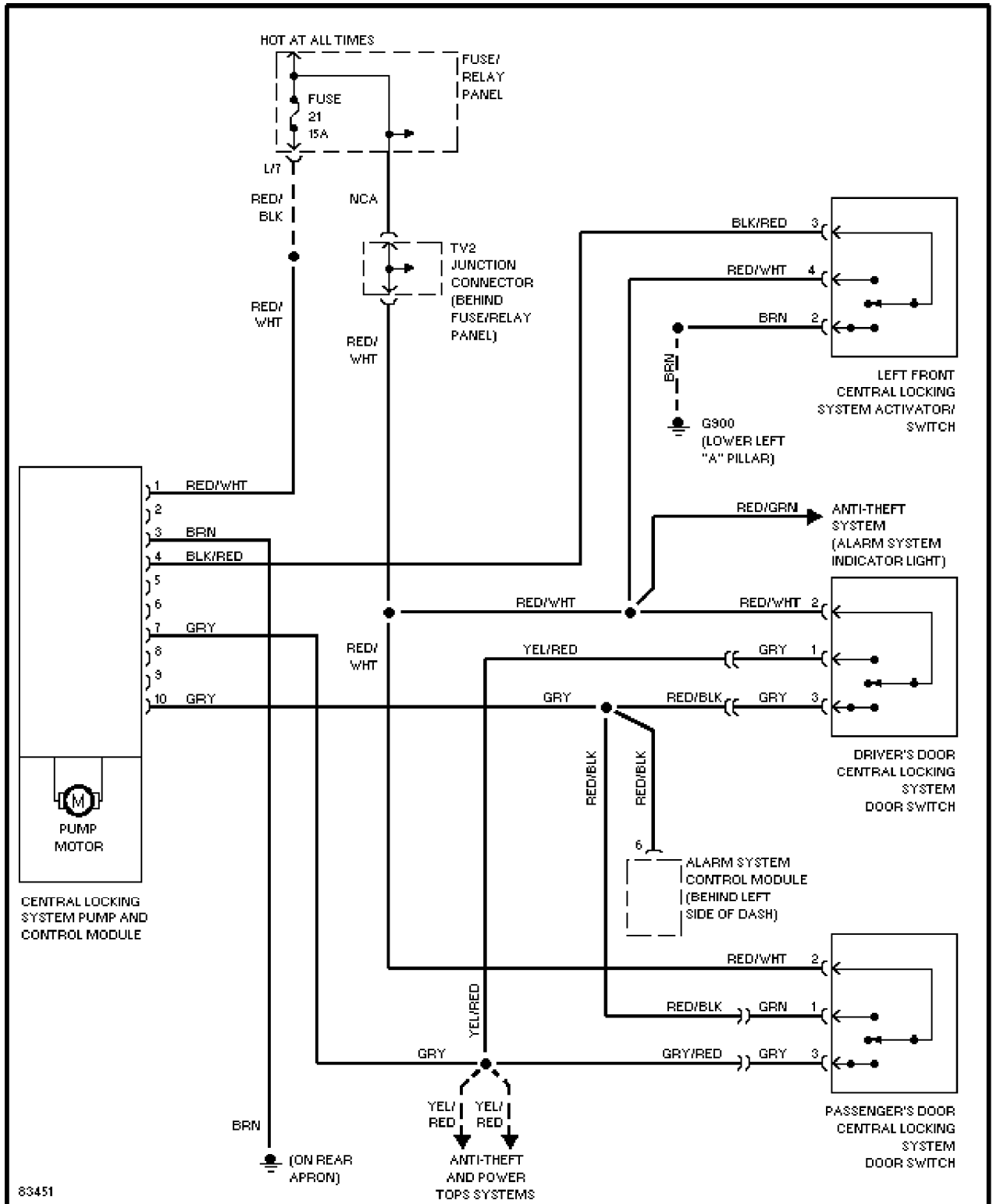
Article Text (p. 30)

1995 Volkswagen GTI

For Volkswagen Technical Site

Copyright © 1998 Mitchell Repair Information Company, LLC

Tuesday, December 07, 1999 10:33PM



Power Door Lock Circuit

## POWER MIRRORS

# SYSTEM WIRING DIAGRAMS

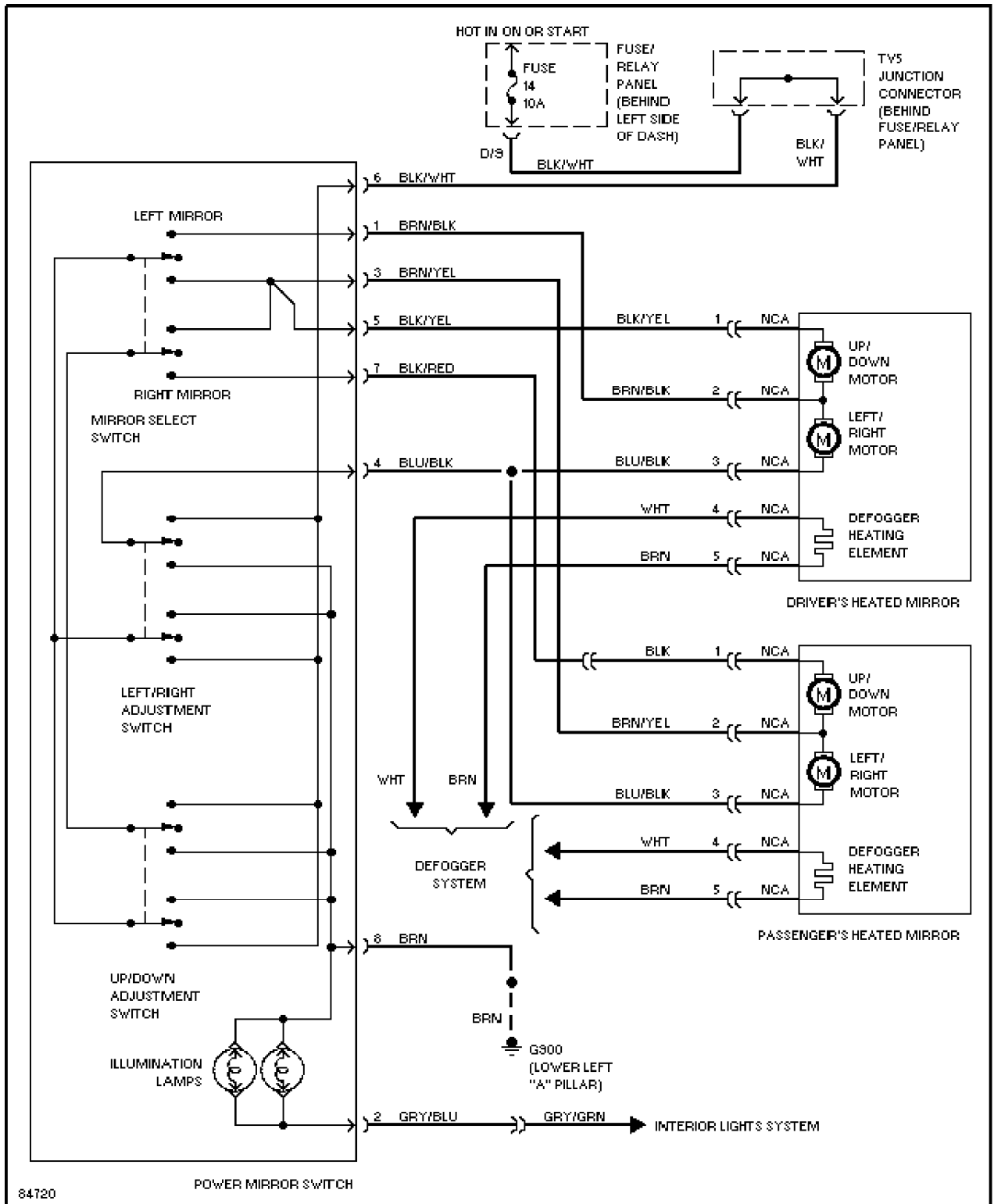
## Article Text (p. 31)

1995 Volkswagen GTI

For Volkswagen Technical Site

Copyright © 1998 Mitchell Repair Information Company, LLC

Tuesday, December 07, 1999 10:33PM



Power Mirror Circuit

# SYSTEM WIRING DIAGRAMS

Article Text (p. 32)

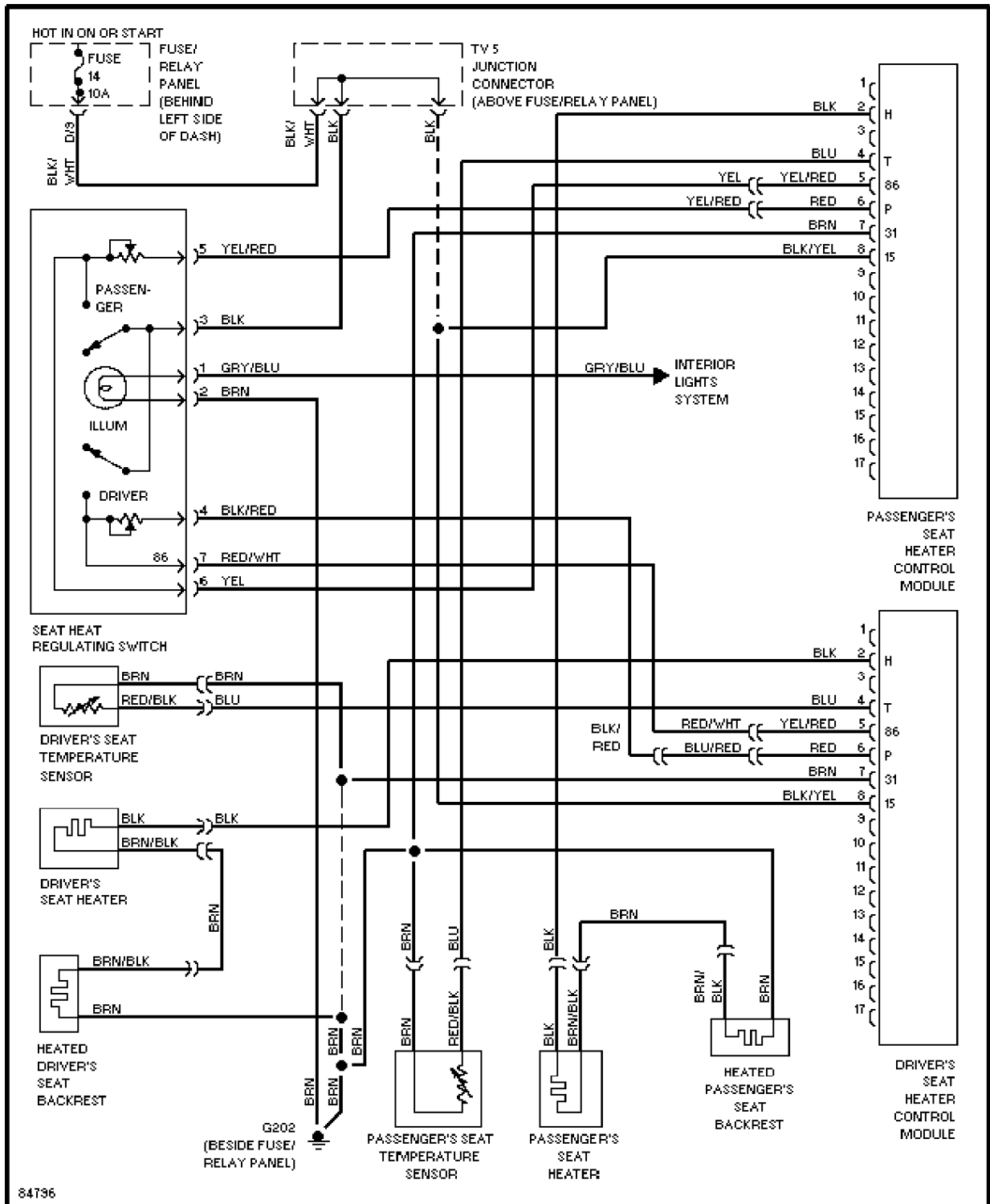
1995 Volkswagen GTI

For Volkswagen Technical Site

Copyright © 1998 Mitchell Repair Information Company, LLC

Tuesday, December 07, 1999 10:33PM

## POWER SEATS



84736

Heated Seats Circuit



# SYSTEM WIRING DIAGRAMS

## Article Text (p. 33)

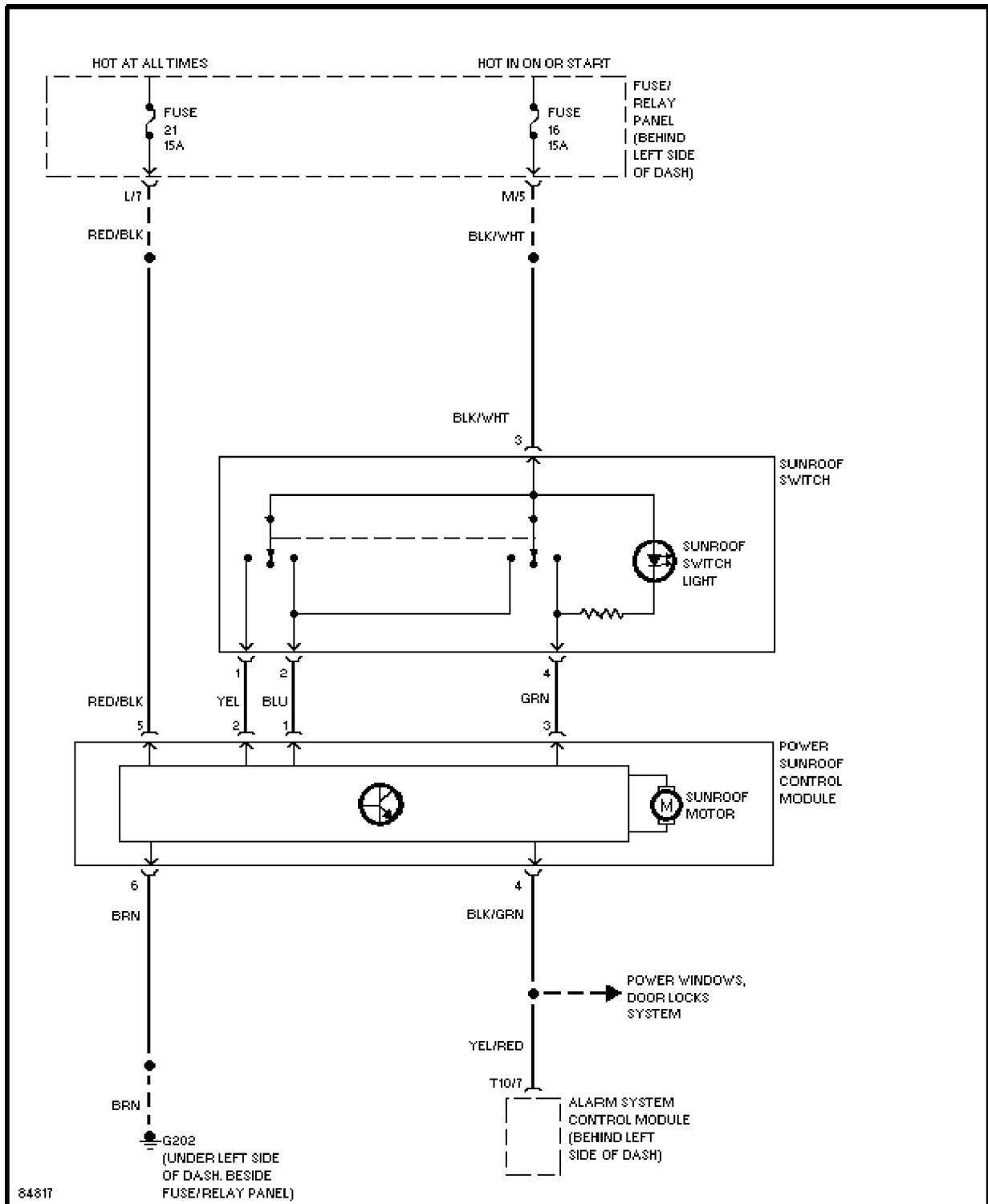
1995 Volkswagen GTI

For Volkswagen Technical Site

Copyright © 1998 Mitchell Repair Information Company, LLC

Tuesday, December 07, 1999 10:33PM

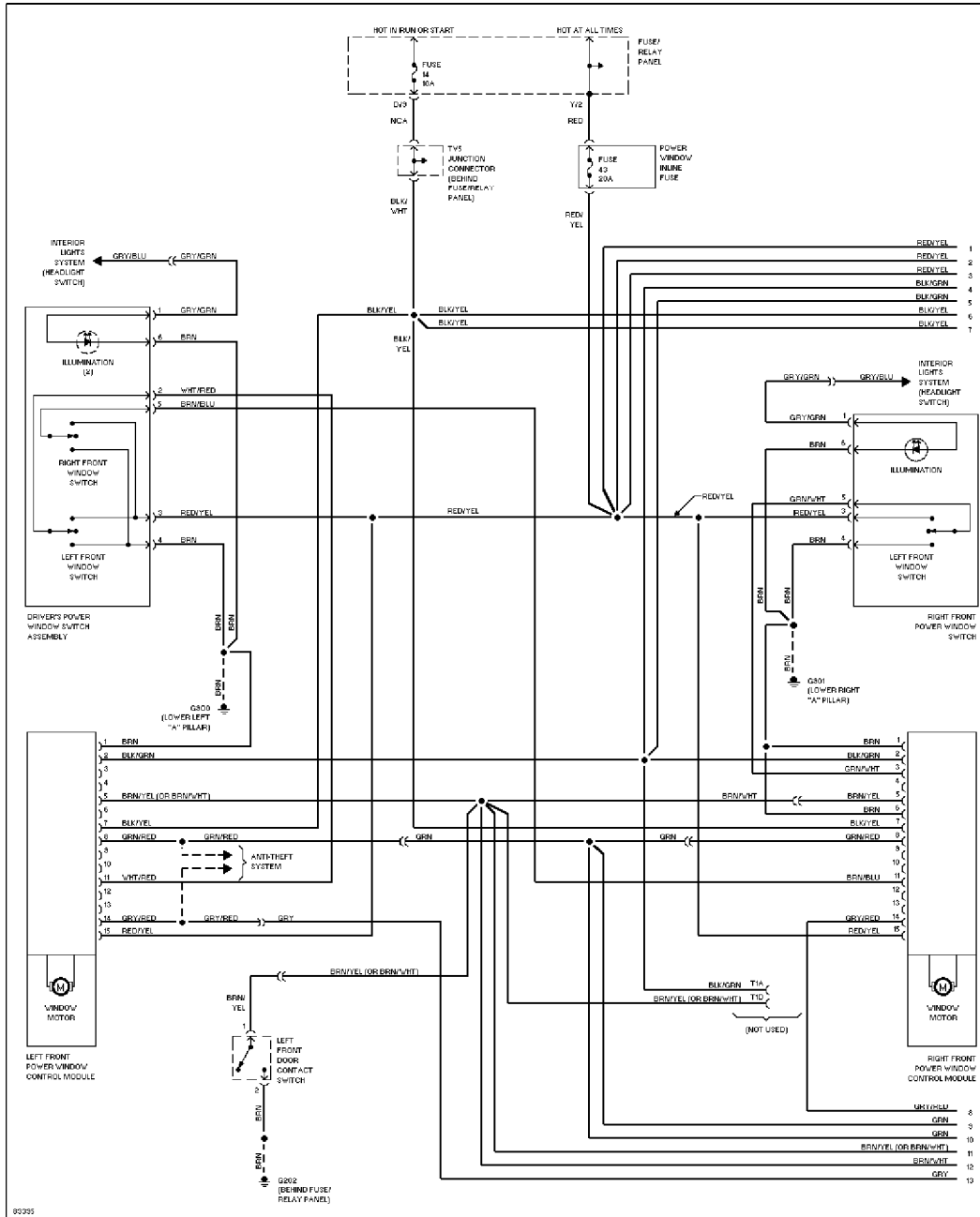
### POWER TOP/SUNROOF



Sunroof Circuit

**SYSTEM WIRING DIAGRAMS**  
**Article Text (p. 34)**  
 1995 Volkswagen GTI  
 For Volkswagen Technical Site  
 Copyright © 1998 Mitchell Repair Information Company, LLC  
 Tuesday, December 07, 1999 10:33PM

**POWER WINDOWS**



Power Window Circuit (1 of 2)

# SYSTEM WIRING DIAGRAMS

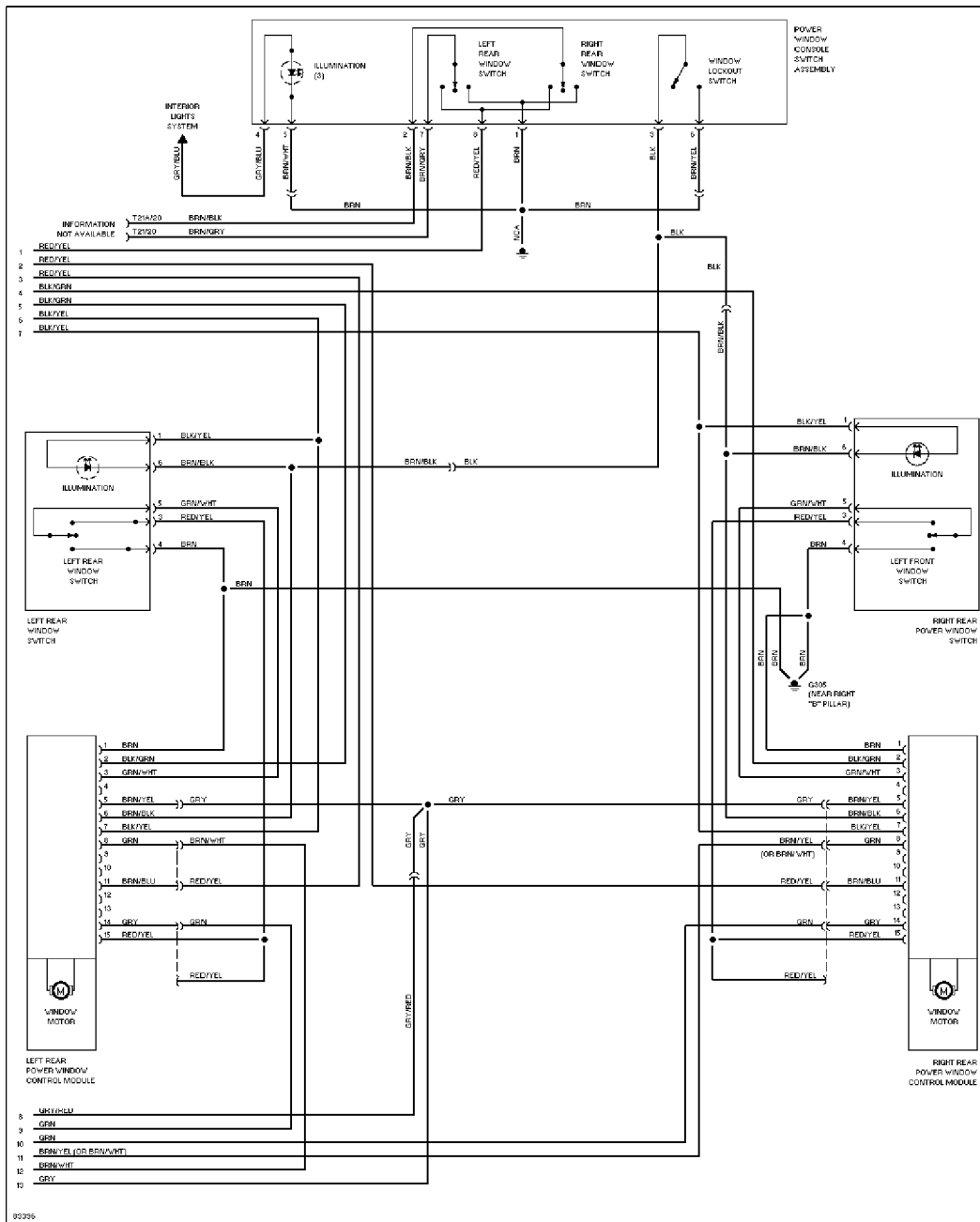
## Article Text (p. 35)

1995 Volkswagen GTI

For Volkswagen Technical Site

Copyright © 1998 Mitchell Repair Information Company, LLC

Tuesday, December 07, 1999 10:33PM



Power Window Circuit (2 of 2)

## SHIFT INTERLOCKS

# SYSTEM WIRING DIAGRAMS

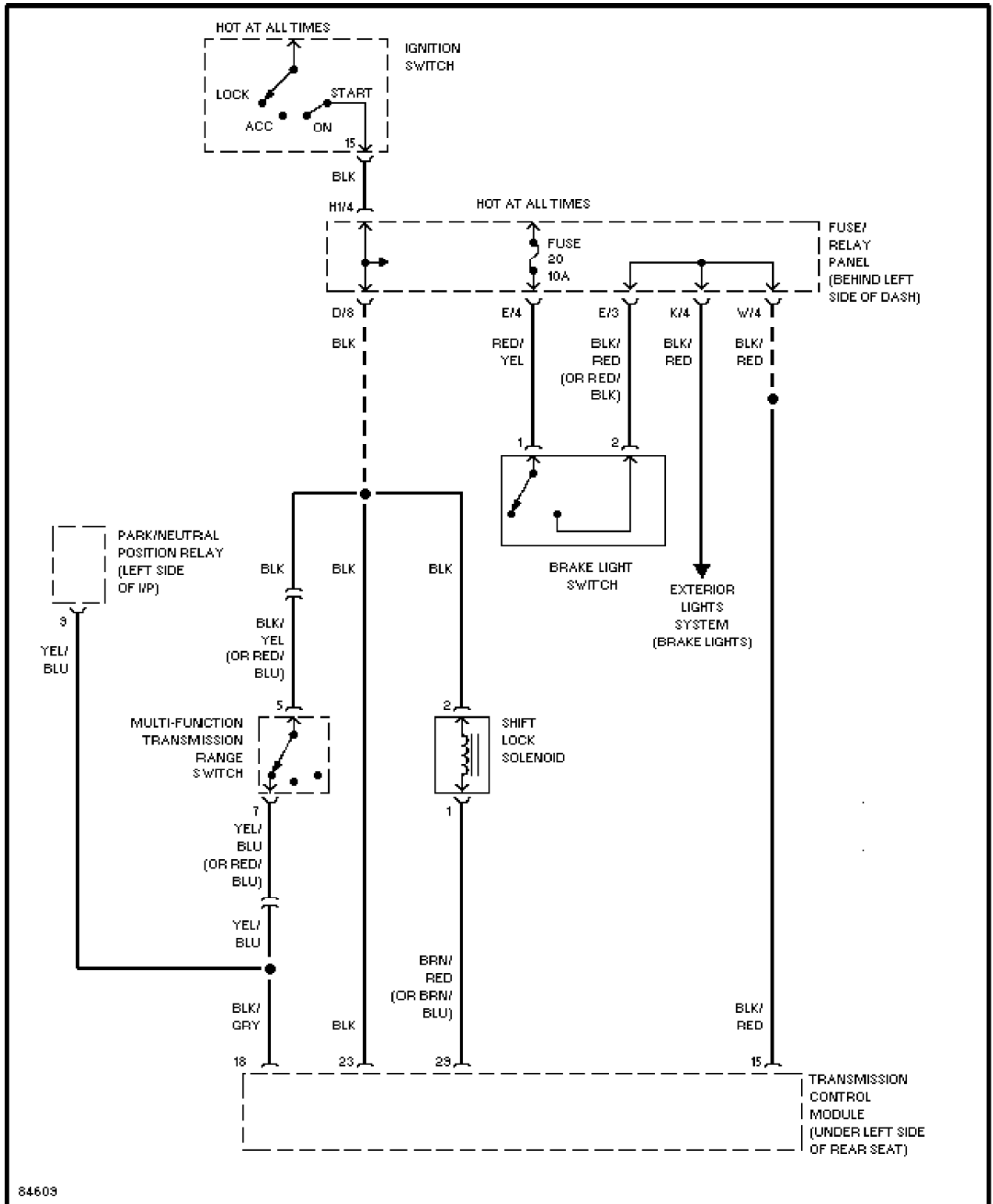
Article Text (p. 36)

1995 Volkswagen GTI

For Volkswagen Technical Site

Copyright © 1998 Mitchell Repair Information Company, LLC

Tuesday, December 07, 1999 10:33PM



Shift Interlock Circuit

STARTING/CHARGING

# SYSTEM WIRING DIAGRAMS

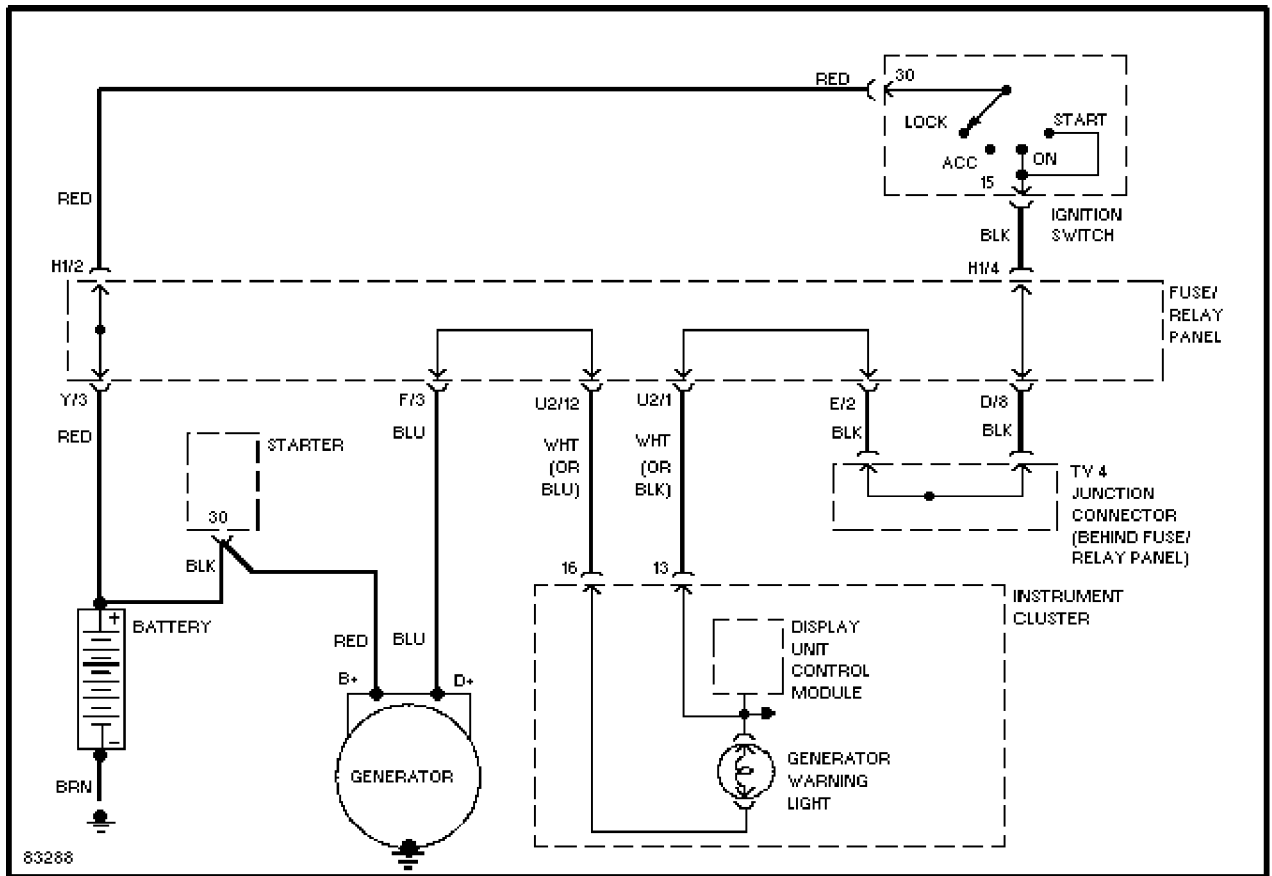
Article Text (p. 37)

1995 Volkswagen GTI

For Volkswagen Technical Site

Copyright © 1998 Mitchell Repair Information Company, LLC

Tuesday, December 07, 1999 10:33PM



Charging Circuit

# SYSTEM WIRING DIAGRAMS

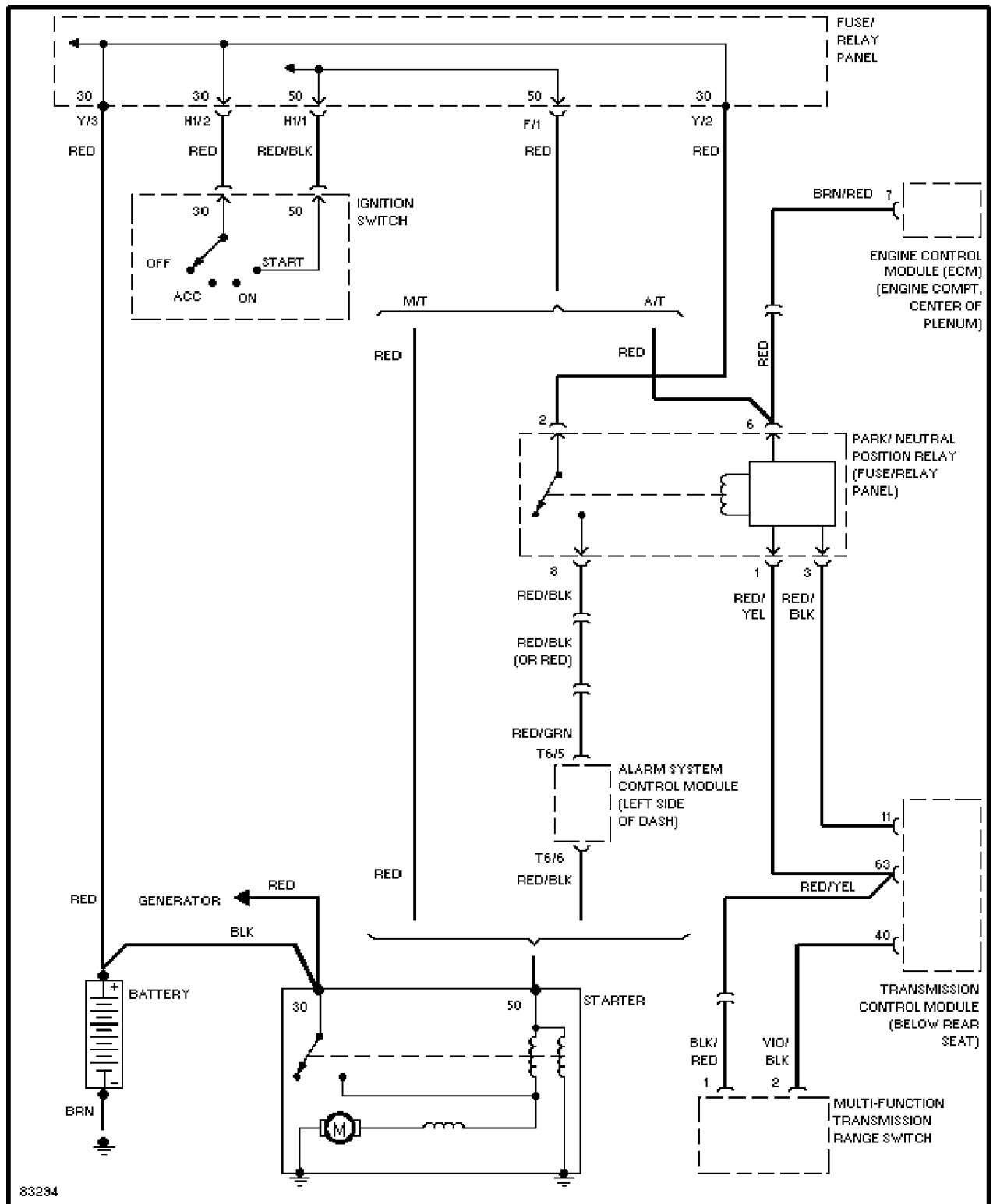
Article Text (p. 38)

1995 Volkswagen GTI

For Volkswagen Technical Site

Copyright © 1998 Mitchell Repair Information Company, LLC

Tuesday, December 07, 1999 10:33PM



Starting Circuit, Early Production

# SYSTEM WIRING DIAGRAMS

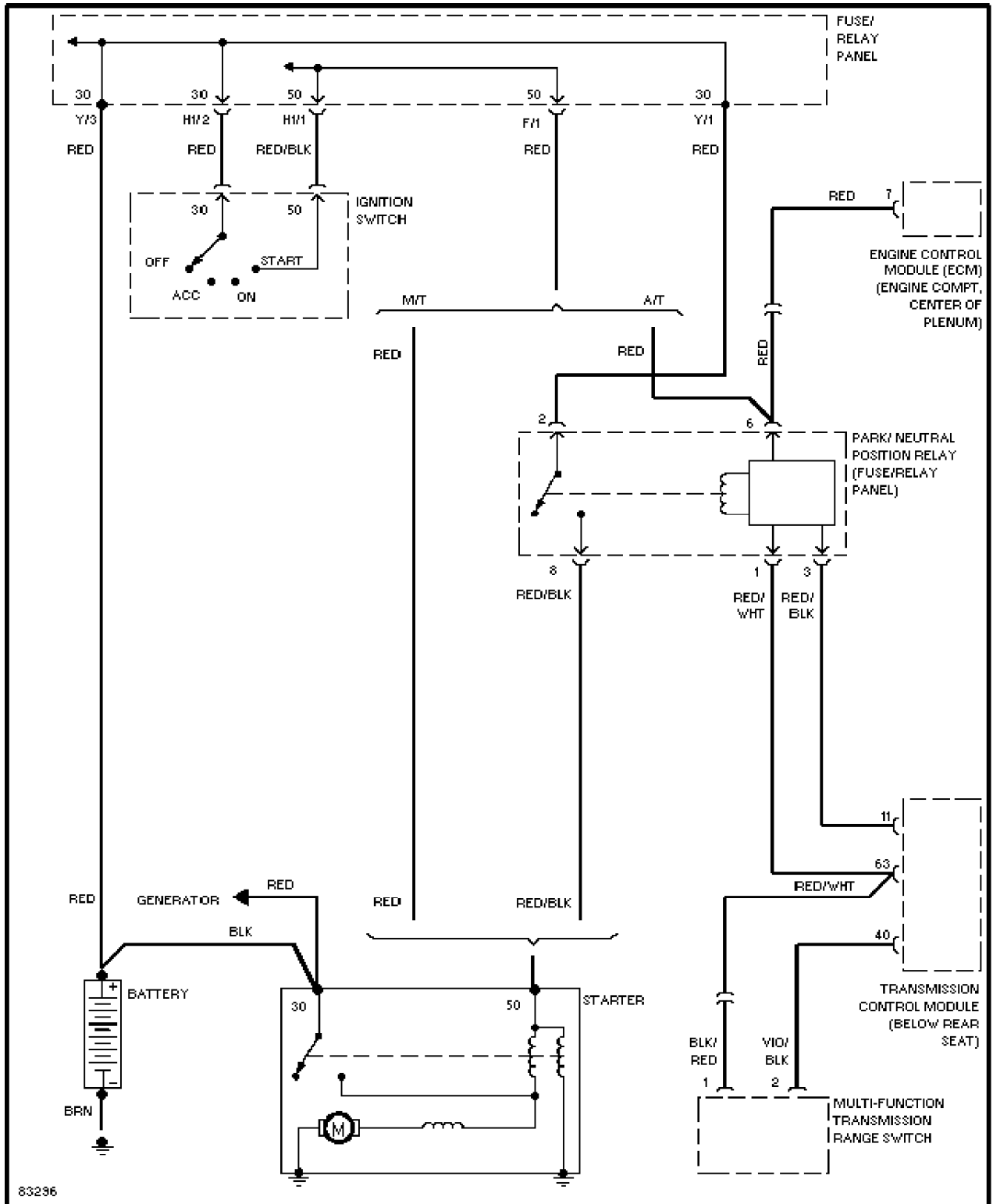
Article Text (p. 39)

1995 Volkswagen GTI

For Volkswagen Technical Site

Copyright © 1998 Mitchell Repair Information Company, LLC

Tuesday, December 07, 1999 10:33PM



Starting Circuit, Late Production

## SUPPLEMENTAL RESTRAINTS

# SYSTEM WIRING DIAGRAMS

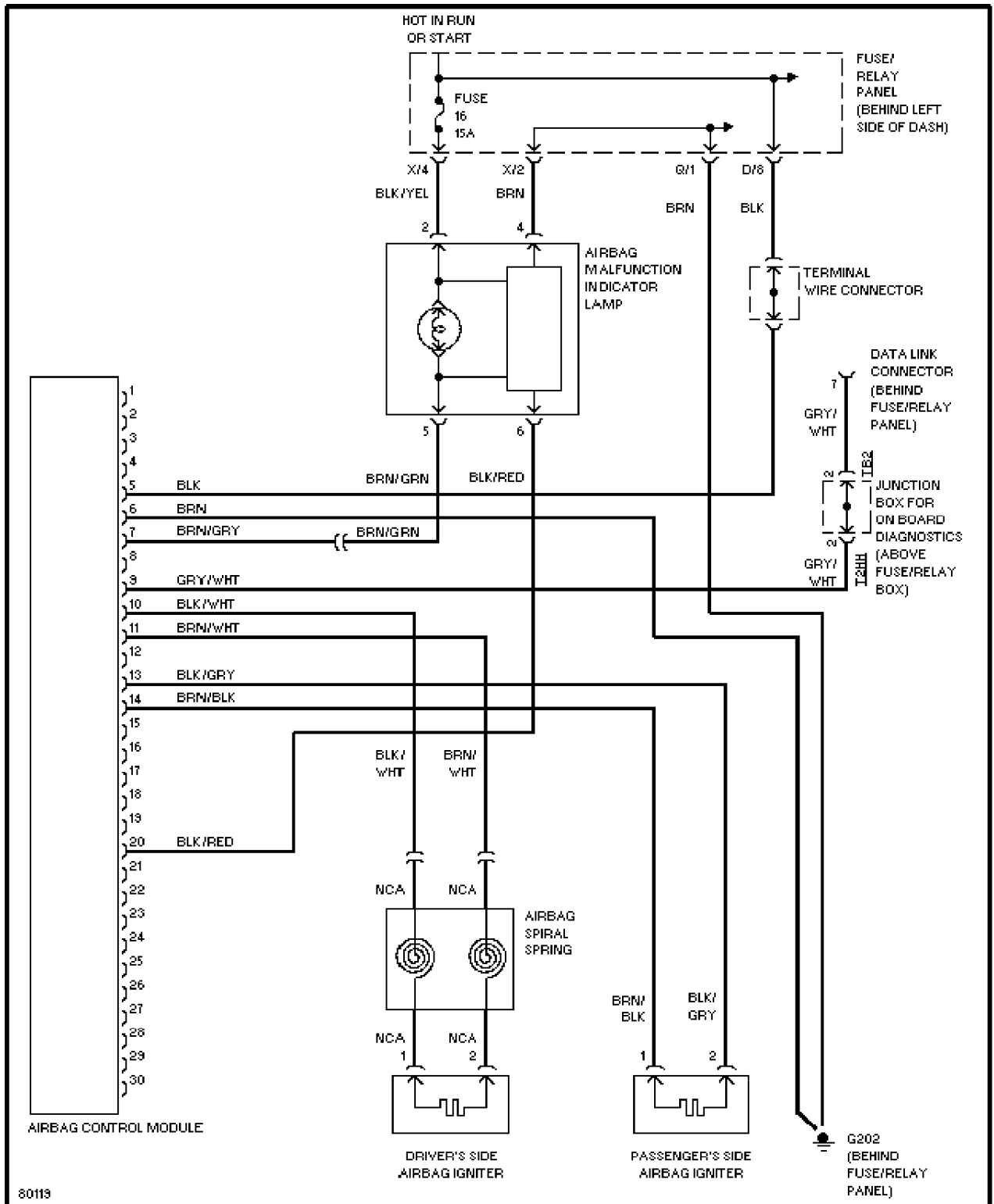
## Article Text (p. 40)

1995 Volkswagen GTI

For Volkswagen Technical Site

Copyright © 1998 Mitchell Repair Information Company, LLC

Tuesday, December 07, 1999 10:33PM



Supplemental Restraint Circuit



# SYSTEM WIRING DIAGRAMS

Article Text (p. 41)

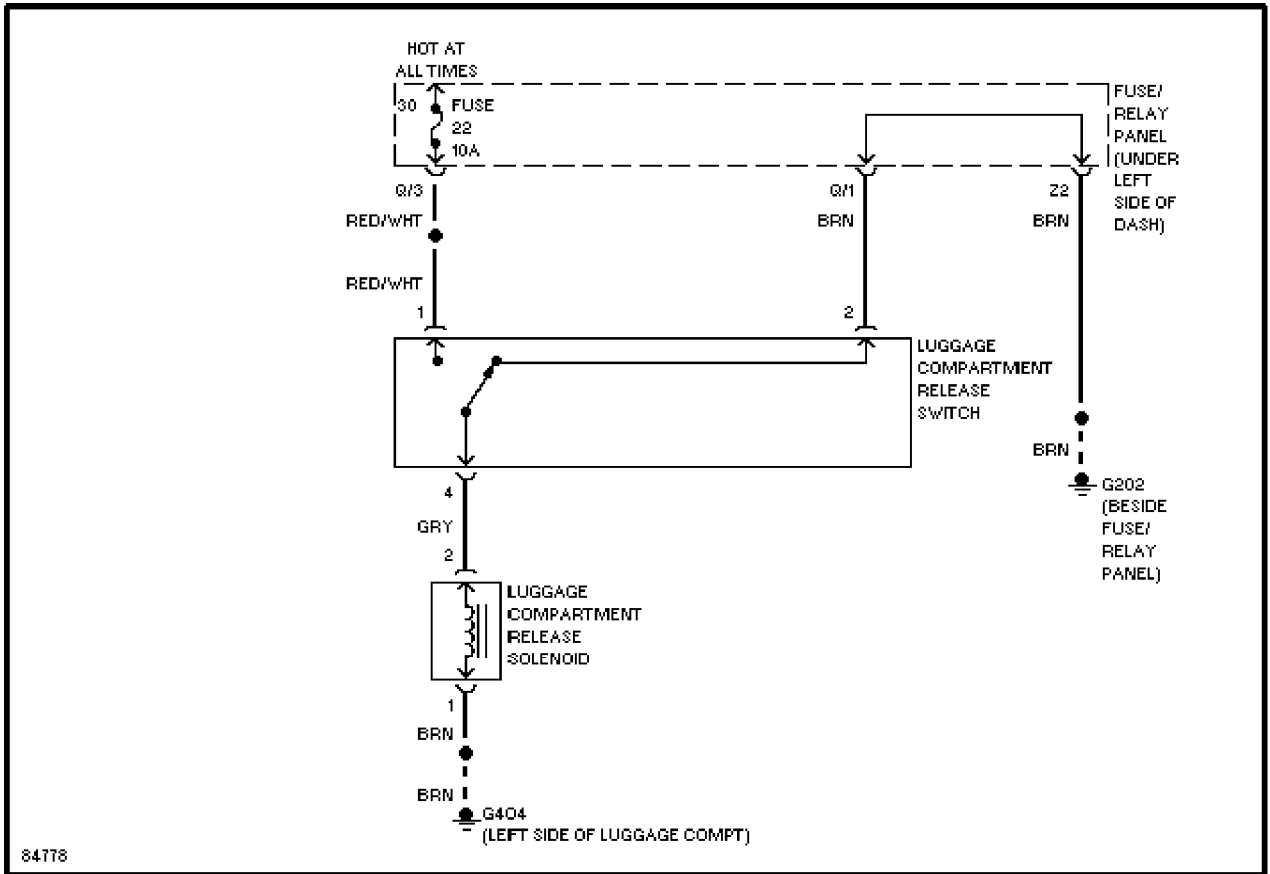
1995 Volkswagen GTI

For Volkswagen Technical Site

Copyright © 1998 Mitchell Repair Information Company, LLC

Tuesday, December 07, 1999 10:33PM

## TRUNK, TAILGATE, FUEL DOOR



Trunk Release Circuit

## WARNING SYSTEMS

# SYSTEM WIRING DIAGRAMS

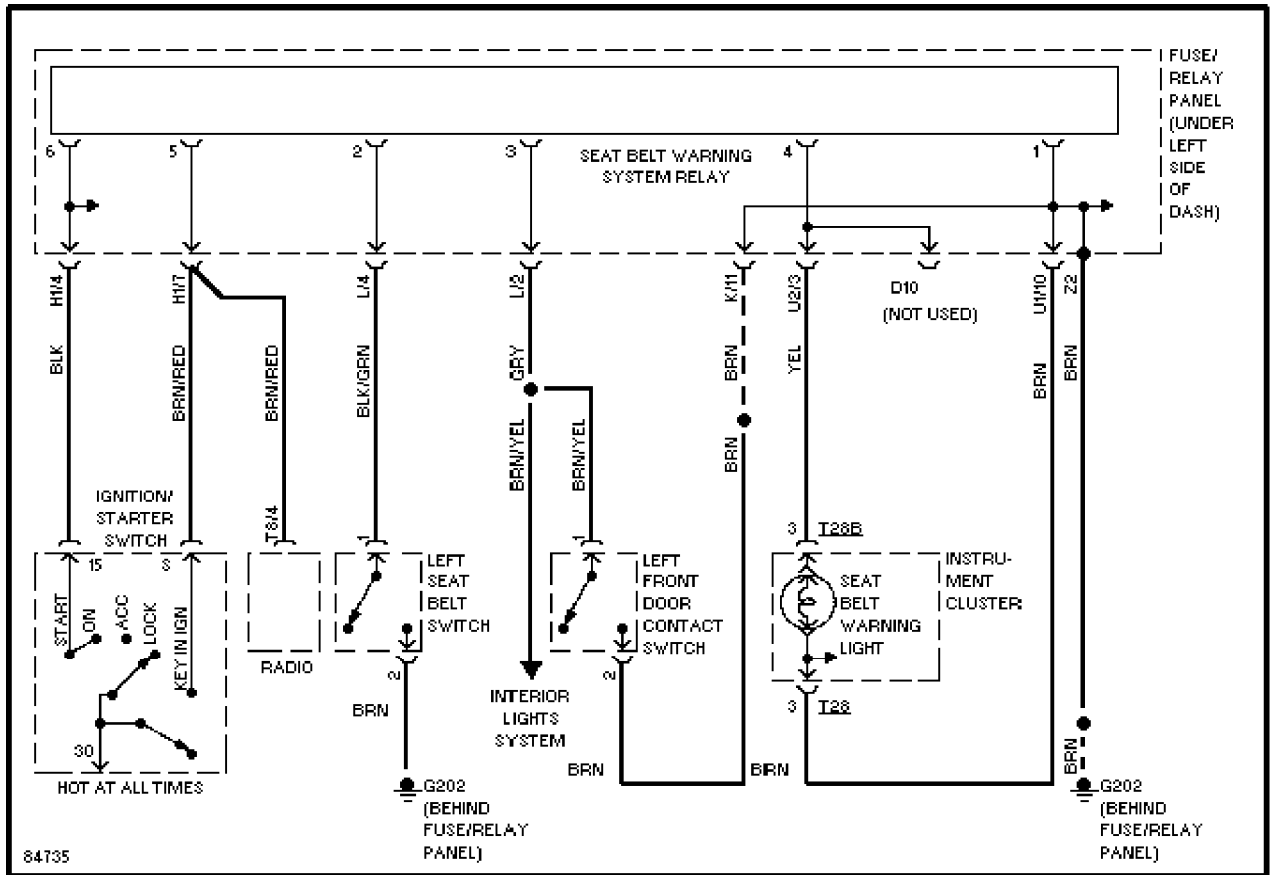
Article Text (p. 42)

1995 Volkswagen GTI

For Volkswagen Technical Site

Copyright © 1998 Mitchell Repair Information Company, LLC

Tuesday, December 07, 1999 10:33PM



Warning System Circuits

## WIPER/WASHER

# SYSTEM WIRING DIAGRAMS

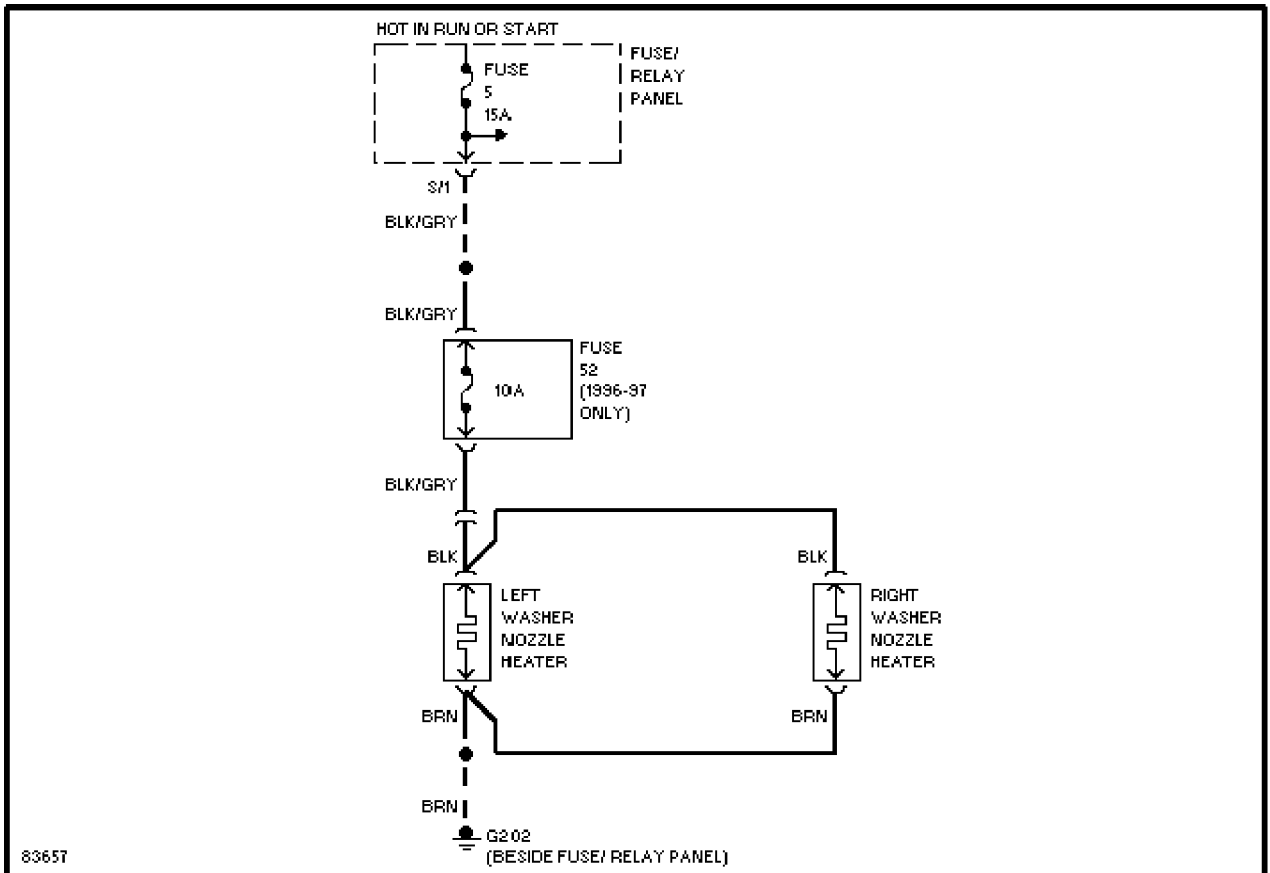
## Article Text (p. 43)

1995 Volkswagen GTI

For Volkswagen Technical Site

Copyright © 1998 Mitchell Repair Information Company, LLC

Tuesday, December 07, 1999 10:33PM



Heated Windshield Washer Circuit

# SYSTEM WIRING DIAGRAMS

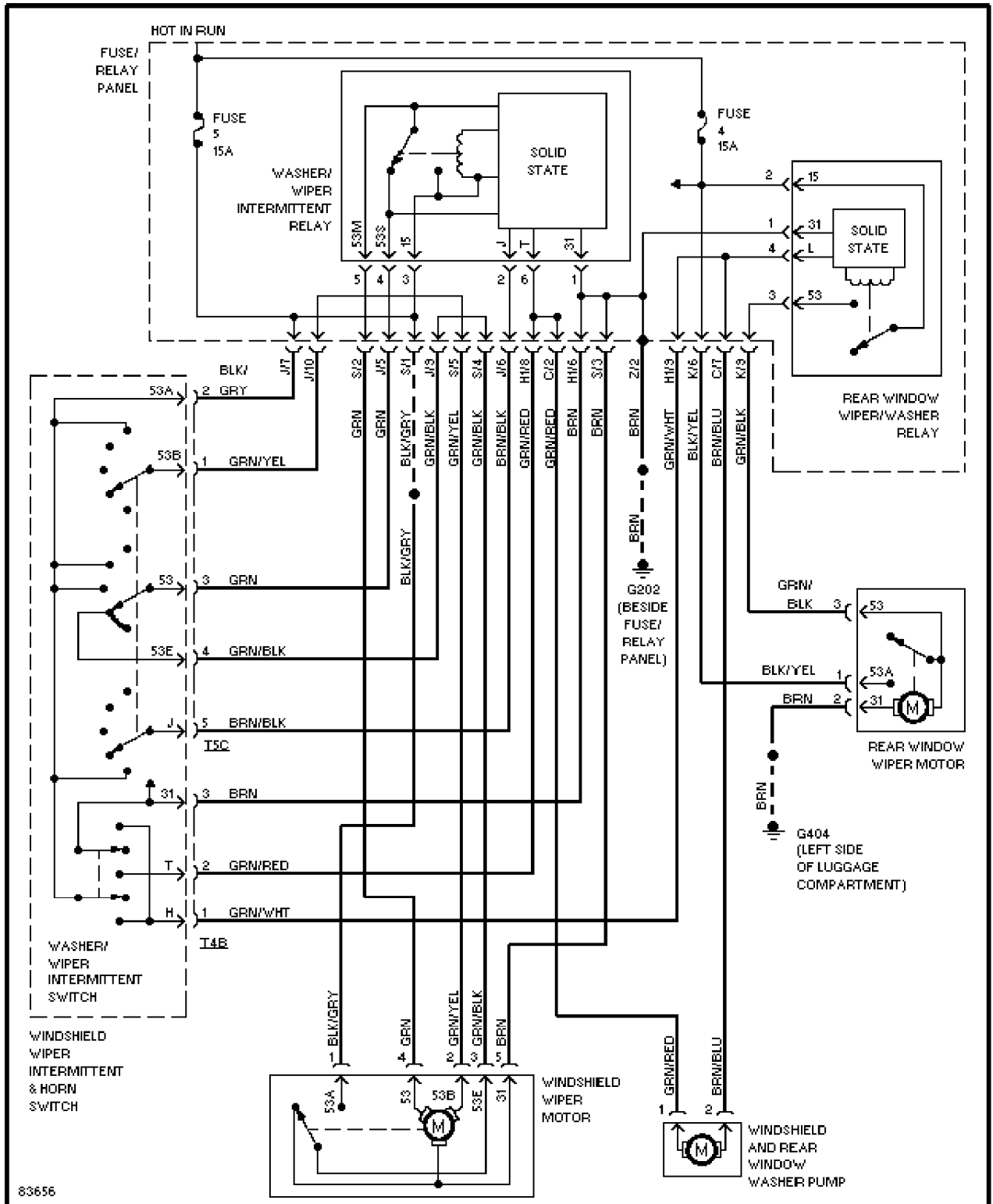
Article Text (p. 44)

1995 Volkswagen GTI

For Volkswagen Technical Site

Copyright © 1998 Mitchell Repair Information Company, LLC

Tuesday, December 07, 1999 10:33PM



Wiper/Washer Circuit

END OF ARTICLE